

# PS5+DPS COMBO Intelligent Power Supply

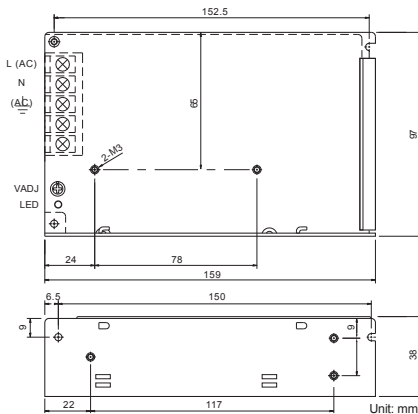
**PS5+DPS COMBO** is designed specifically for 2-wire series house or Apartment systems to supply power to the door station, video monitors and other Interfaces. Contains two units, the PS5 and DPS which work together. PS5 Power unit can work on 85-260AC mains voltage. By default it set to 240-260AC

There is a red coloured switch to change from 260 to 85AC. The switch is located on the front side, underneath the metal mesh cover

- Universal AC input/full range
- Multi protection: short circuit, overload, over voltage
- Cooling by free air convection
- DIN rail mounting
- Output voltage adjustable 21.5~26.5
- Voltage switch 110V/240V
- Requires enclosure box



## Dimensions and Terminals of PS5



- **L(AC)**: AC input.
- **N(AC)**: AC input.
- $\perp$  : Earth Ground.
- **V-**: DC power output
- **V+**: DC power output
- **VADJ**: Output voltage adjustment
- **LED**: Working state indicator

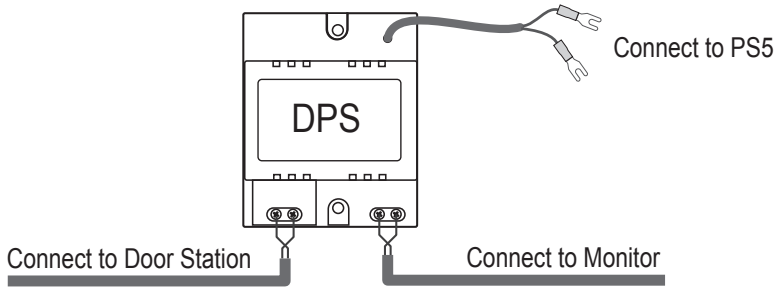
## Specifications

|                    |                              |
|--------------------|------------------------------|
| Input Voltage:     | 85~260Vac, 120~370Vdc        |
| Input Frequency:   | 47~63 Hz                     |
| Leakage Current:   | >2mA / 240Vac                |
| AC current (TYP)   | 1.5A / 150Vac, 0.9A / 230Vac |
| Output VADJ range: | 21.5~26.5 Vdc adjustable     |
| Rated Voltage:     | 24Vdc                        |
| Rated Current:     | 3.2A                         |
| Rated Power:       | 76.8W                        |

# DPS

---

**DPS:** power adaptor for the PS5 or PS4 power unit. It transfers the power to the suitable power for the non-polarity bus: different for door station and video monitors

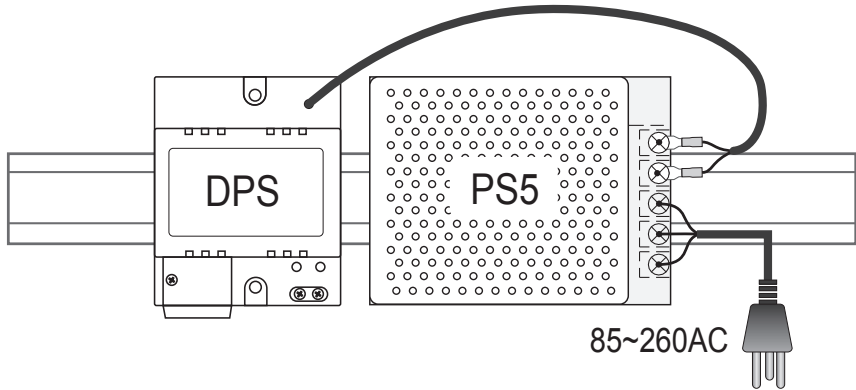


## Specifications

|                      |                                   |
|----------------------|-----------------------------------|
| Power input:         | 24Vdc (supplied by PS5)           |
| Power output:        | 18Vdc                             |
| Power Consumption:   | 0.25W in standby, 0.5 W in acting |
| Working temperature: | -5°C +45°C                        |

---

## DIN rail Installation and Connection of two units together



- Use **1mm power cable** to connect PS5 power unit directly to mains or connect power lead with plug if it will be plugged into an electric socket
- Connect two cables Red and Black from DPS: one to V+ and second to V-
- If system contains multiple video monitors and shows a lack of power (monitors freezes, or door station with digital keypad flashes), increase power via **VADJ switch**. Even if power turned to the maximum, it will not damage equipment
- Important: Do not connect video monitor to the 'Door station' terminal. Higher than required for monitors voltage on door station terminal can damage the monitor
- In some cases (extremely long distances with many video monitor systems and inadequate cables), a second Power Combo has to be connected. Connection of two Power Combos requires some modification of one of them. Instruction for this modification will be supplied with second power supply