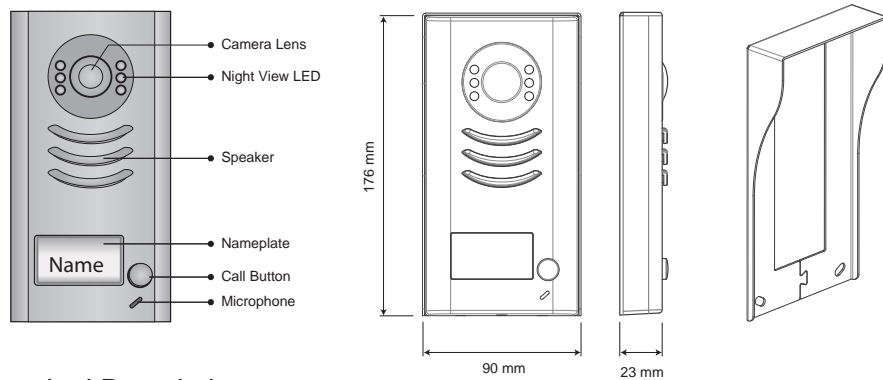


VT-591 Outdoor Camera User Manual

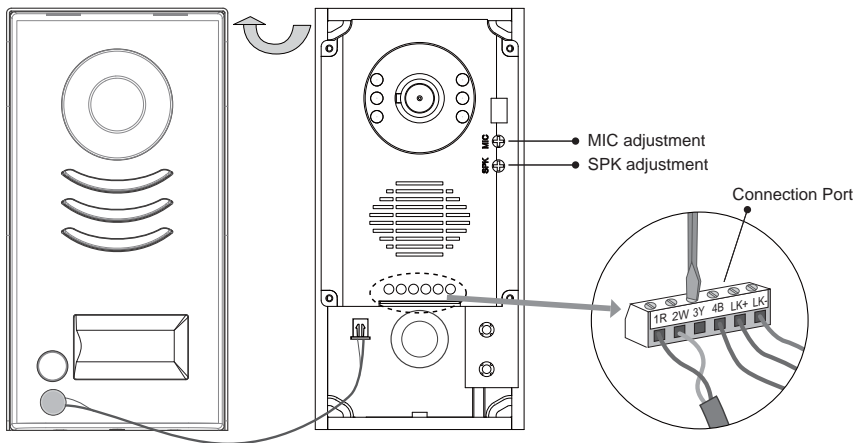
Precautions: Do not install camera/bell where there would be a bright light behind the visitor (or where there would be a bright background), or in a place where the camera lens would be directly exposed to sunlight or a bright light. If light shines directly into the outdoor camera lens, the image will be over-exposed; it will look white or silhouetted. Take precautions against this. Do not install the unit in places where is constant vibration, extreme heat or unusual external interference.

Important: Connect the **1R/2W/3Y/4B** of Camera to **1R/2W/3Y/4B** of Monitor. **ONLY** one type of electronic lock, which is **Power-On-To-Open(Power-to-Unlock)** type, can be connected to the Camera, and the power needed for the lock should be **NO MORE THEN 12Vdc, 500mA**.

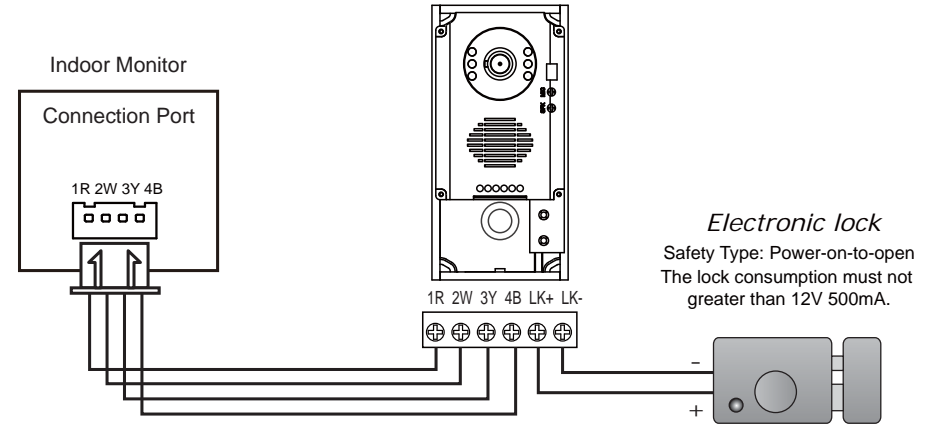
Parts and functions



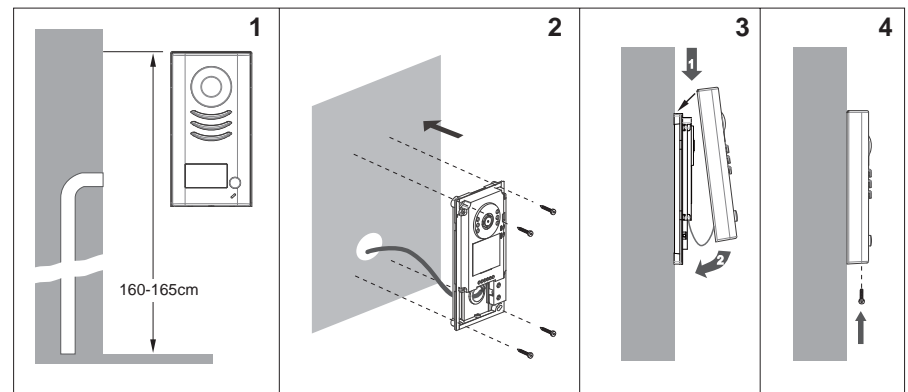
Terminal Descriptions



System Connection



Mounting Without Rain Cover



Mounting With Rain Cover

