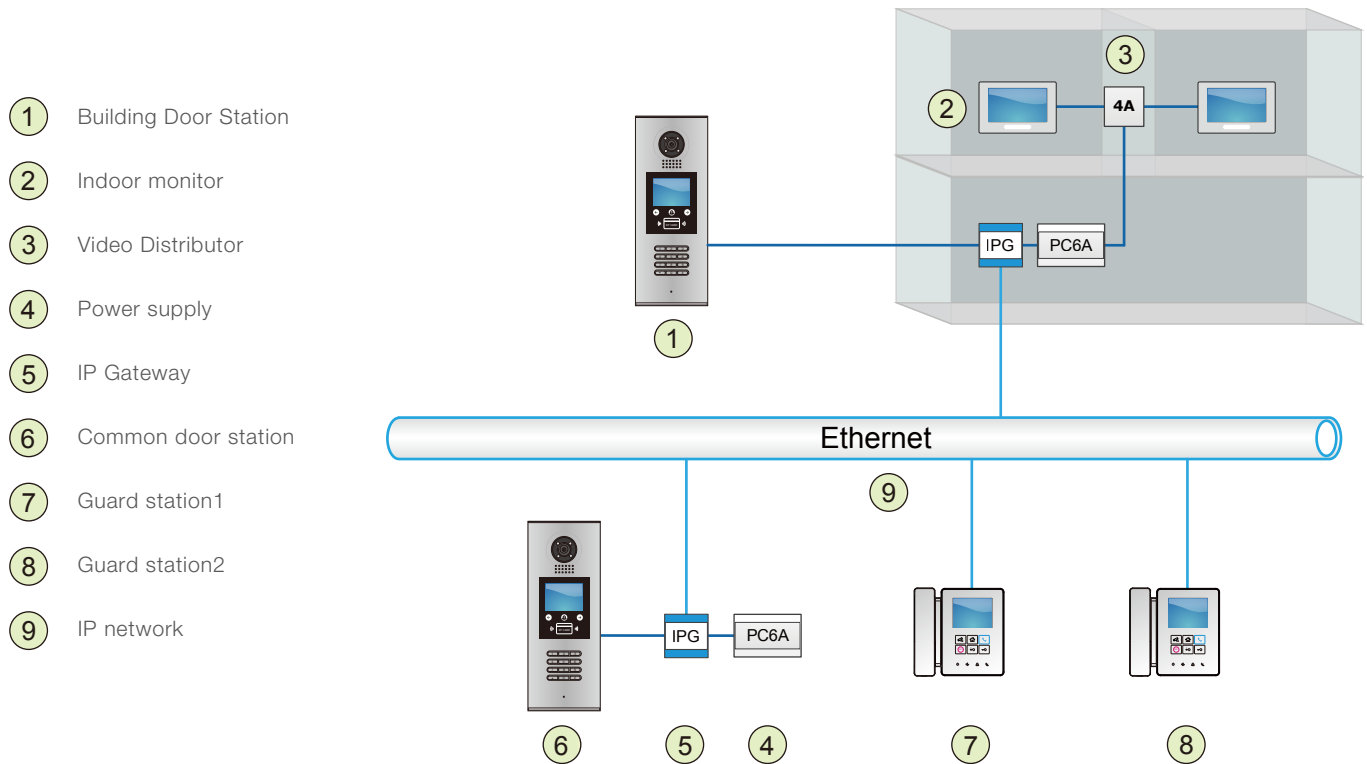


Thanks to the IP technology, the traditional 2-wire analog video entry system steps into a new generation. By taking the advantage of IP network, the system becomes more flexible and versatile, higher performance system with longer distance, multichannel operation and switchboard.



- ① Building Door Station
- ② Indoor monitor
- ③ Video Distributor
- ④ Power supply
- ⑤ IP Gateway
- ⑥ Common door station
- ⑦ Guard station1
- ⑧ Guard station2
- ⑨ IP network

System Functions

⑥ Door Station Point:

- 1) Call Guard Stations
 - 2)* Call building/residential Monitors
 - 3) Namelist display and selectable
 - 4) Access by passwords or RF cards
- *Depends on Common/Building location


⑦ Guard Station Point:

- 1) Call residential Monitors
- 2) Call other Guard Stations
- 3) Answer calls and unlock
- 4) Monitor Door Stations
- 5) Namelist display and selectable

② Monitor Point:


- 1) Call Guard Stations
- 2) Intercom building Monitors
- 3) Monitor Doors Stations
- 4) Answer calls and unlock

IP Gateway




- Working indicators
- Easy Maintenance
- Free of PC configuration

Guard Station

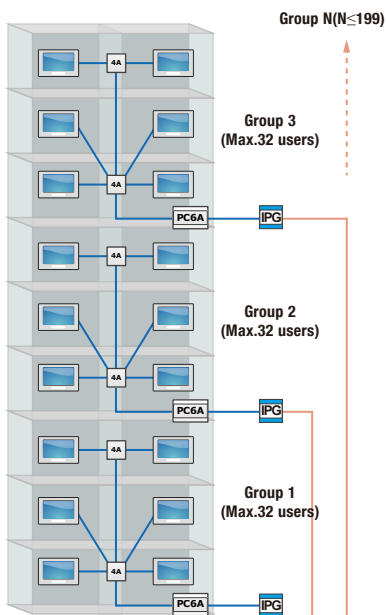


- Touch screen operation
- Name list management
- Events&memory recording

Configuration Software



- DX-Builder PC software
- System device management
- Network address assignment



System Capacity

- Max. 32 Common door stations
- Max. 32 Guard stations
- Max. 199 subsystems
- Max. 6368(199*32) monitors

System Features

- H.264/AVC video for small bandwidth usage
- Effective Multicast and RTP for media stream
- Economic 10 BASE-T / 100 BASE-TX Ethernet Interface

System Application

- Villa and grouped house
- Simple or complex Residential
- Apartment and high rise building

System Configuration

- DIP settings for simple installation
- DX-Builder PC tools for complex system
- Rich field diagnostic data for assistant

High-Rise Building

