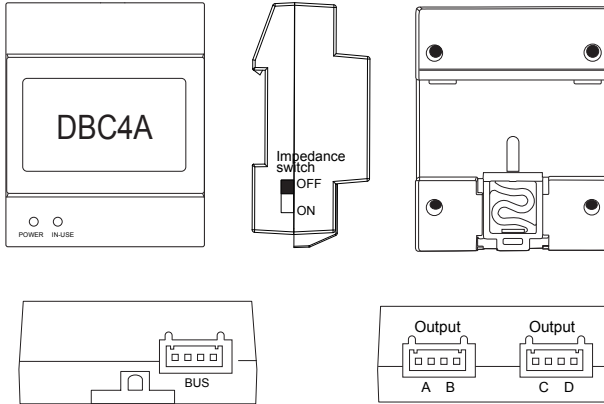


DBC4A is a hub-type device for connecting multiple (up to 4) video monitors and/or door stations together, via star connection



POWER: This indicator will light up Red when powered on

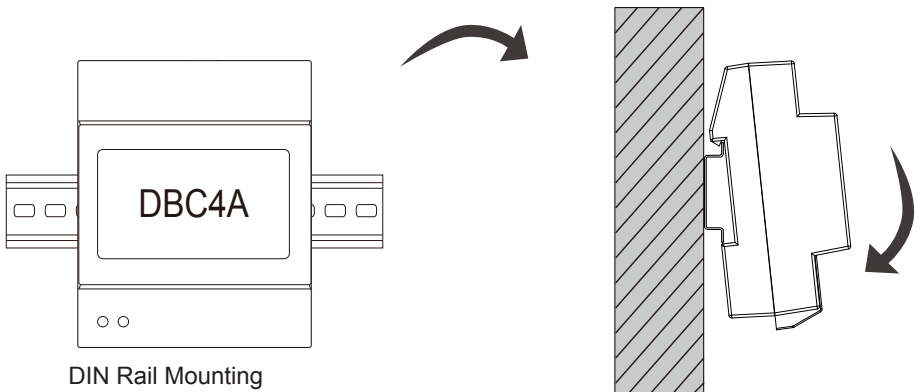
IN-USE: Status indicator. Redlight shows the system is in use

Impedance Switch: If more than one DBC4A connected, impedance switch must be set **On** on the last DBC4A. The power indicator light will turn from Red to Orange

Bus (bottom): Input ports

A,B,C,D (top): Output ports, to connect video monitors or door stations

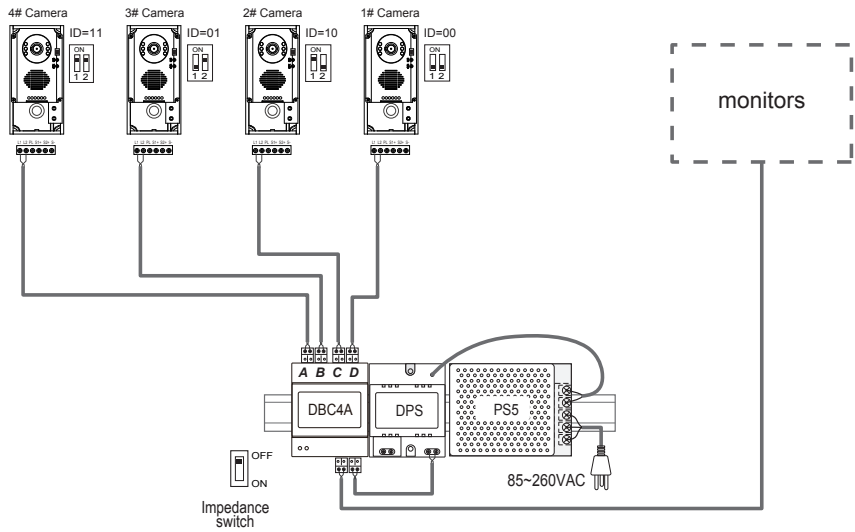
2. Unit Mounting



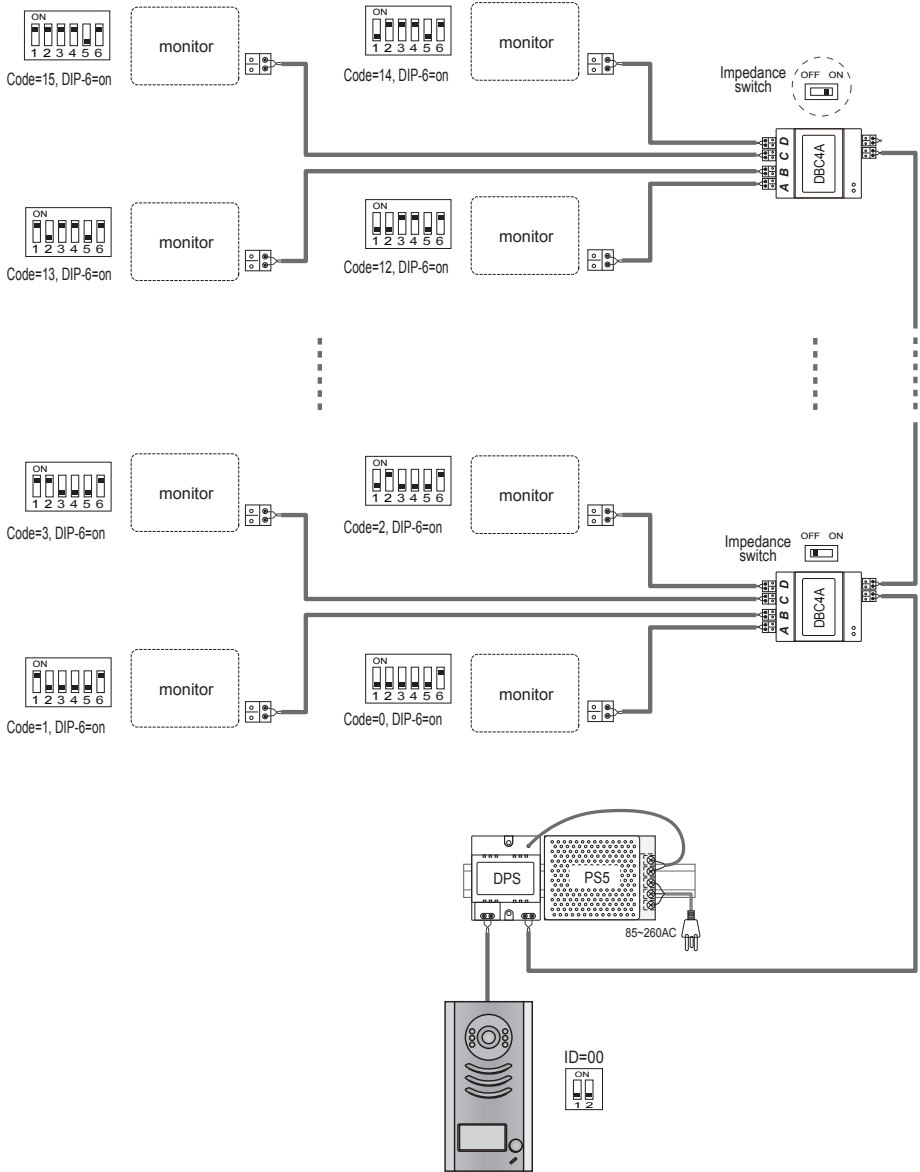
DIN Rail Mounting

3. System Wiring with DBC4A

Multi Door Station Wiring:



Multi Monitor Wiring:



5. Specification

Power Supply :	DC20~30V
Working Temperature:	-10°C~+40°C;
Wiring:	2 wires (non-polarity);
Dimension:	H89×W71×D45mm

6. Application

Applicable for 2-wire series House and Apartments video door entry systems

The design and specifications can be changed without notice to the user. Right to interpret and copyright of this manual are preserved