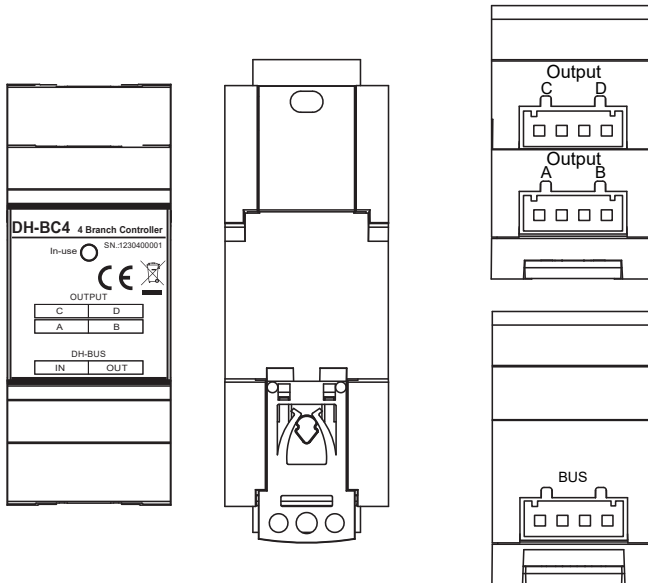


Description: DH-BC4 4 branch output short protector

- Independent 4 outputs solo short circuit protection
- Self recover

1. Parts and Functions



In-Use: flash when detect short circuit

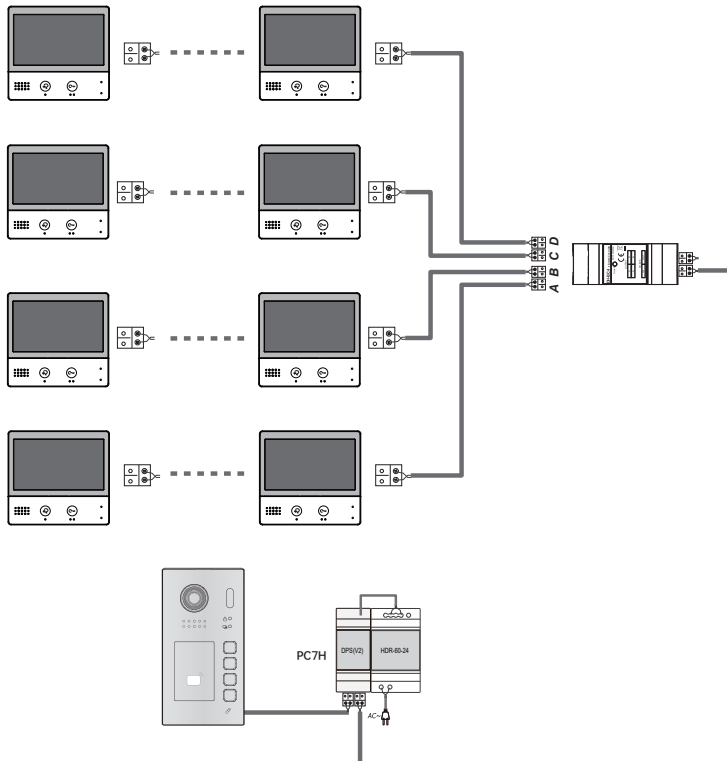
BUS: connect to 2EASY DH bus

A,B,C,D: output port, connect to indoor monitors

2. System Wiring with DH-BC4

Each output max 4 monitors

Max 16 monitors



3. Specification

Power Supply :	DC20~30V
Working Temperature:	-10 ⁰ C~+40 ⁰ C;
Wiring:	2 wires (non-polarity);
Dimension:	90(H)×35(W)×58.4(D)mm

The design and specifications can be changed without notice to the user. Right to interpret and copyright of this manual are preserved.