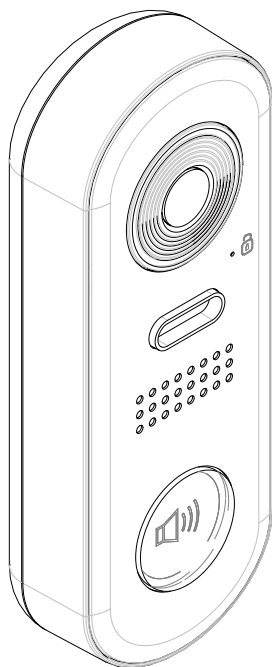


English

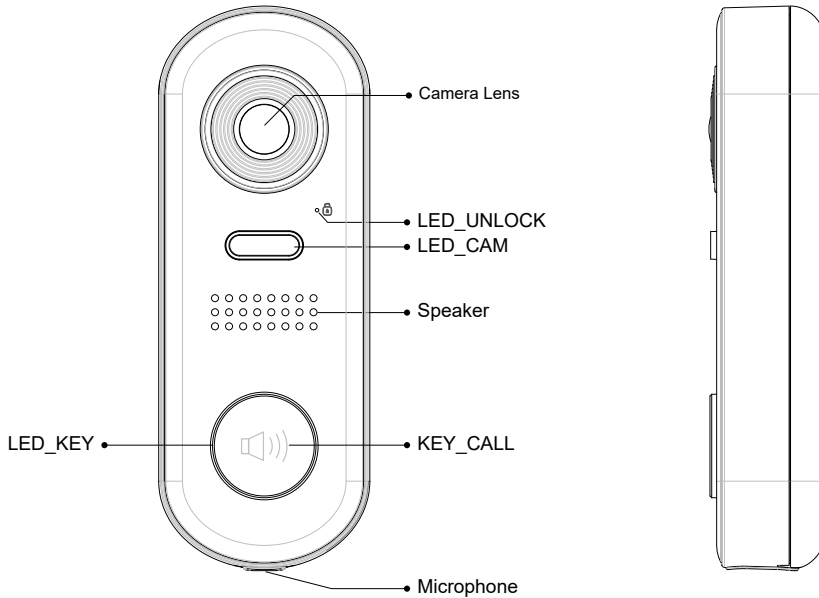
2-Wire Video Outdoor Station

User Manual

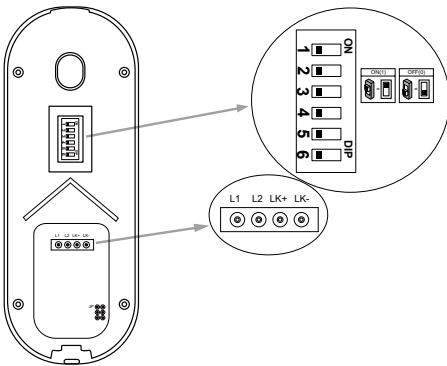


DT-ENG-610-V1 190107

1.Parts and Functions



2.Terminal Descriptions



DIP:

Bit 1&2: to set door station address, total 4 door stations can be supported. Please refer to door station address setting.

Bit 3&4: to set unlock time for door station. Please refer to unlock time setting.

Bit 5: to set unlock mode for door station(0(OFF):opened/1(ON):closed).

Bit 6: 0(OFF) --> 1(ON), to enter setting mode.

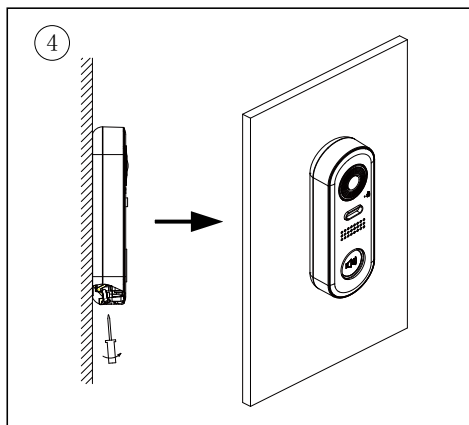
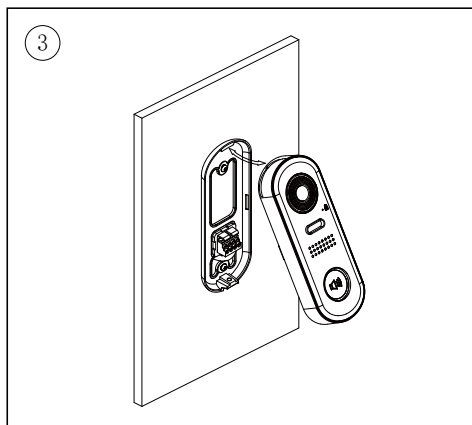
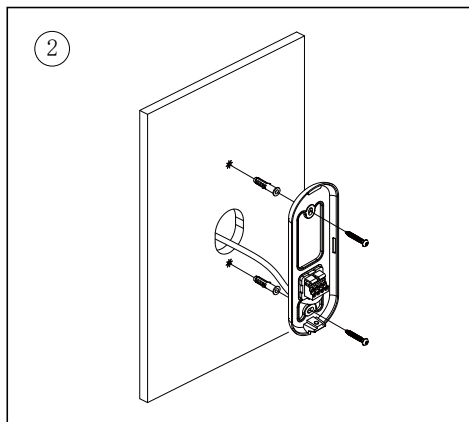
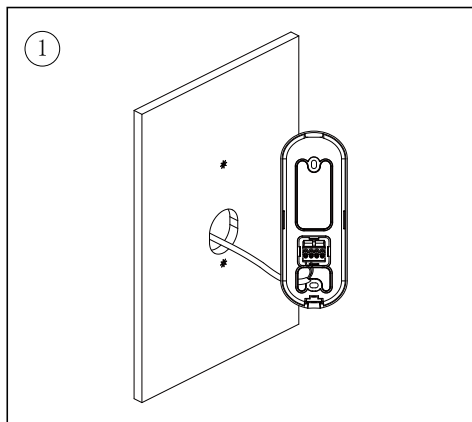
L1,L2: Connect to the bus line, no polarity.

LK+: Lock power(+) output.

LK-: Lock power(-) output, connect to the power(-) input of locks(only when using the door station to power the locks, if using the external power supply for the locks, the LK- will not be connected).

JP: Lock Control Jumper.

3. Mounting



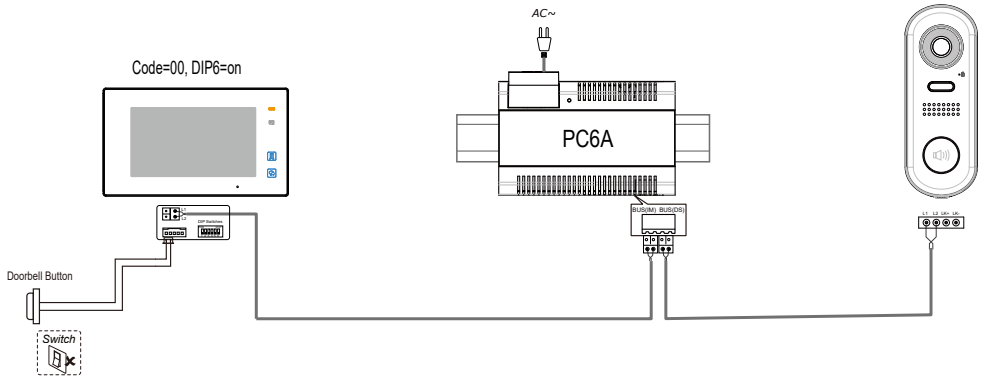
1. Installation height for door station usually is 145~160cm.

2. Use screws to fix the back panel to the wall after connect the cable correctly.

3. Attach the front panel to the back panel, then use the screw to fix it.

4. System Wiring and Connections

Basic Connection

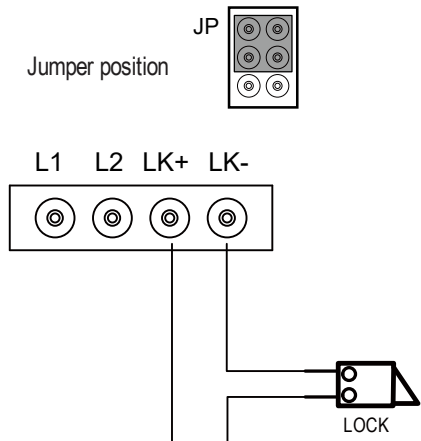


Electric Lock Connection

Door Lock Controlled with Internal Power

Note:

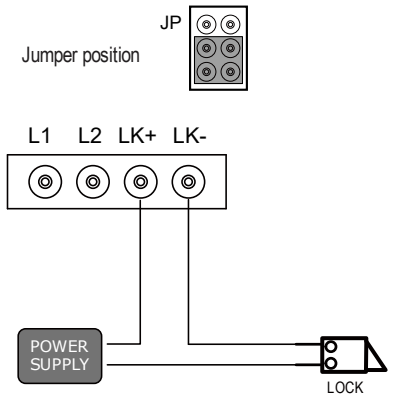
1. This mode only supports electromagnetic locks.
2. Electromagnetic lock of Power-off-to-unlock type should be used.
3. The door lock is limited to 12V, and holding current must be less than 250mA.
4. The **Unlock Mode** Parameter of Monitor must be set to 1 (by default).



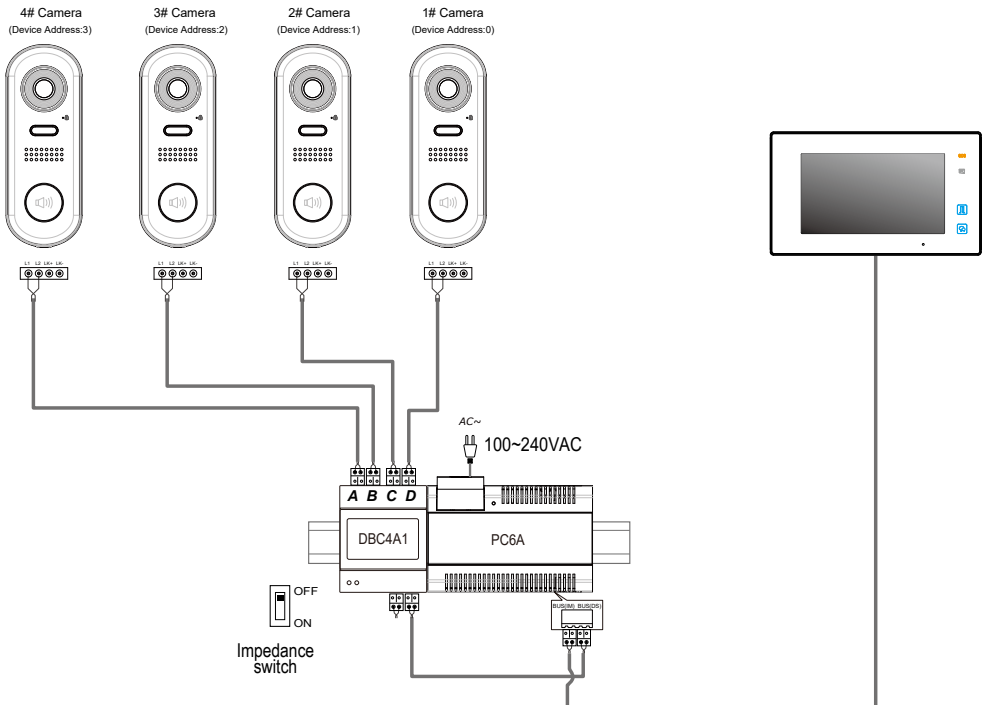
Door Lock Controlled with Dry Contact

Note:

1. The external power supply must be used according to the lock.
2. The inside relay contact is restricted to AC or DC 24V/1A.
3. Setup the **Unlock Mode** of Monitor for different lock types.
 - Power-on-to-unlock type:Unlock Mode=0 (by default)
 - Power-off-to-unlock type:Unlock Mode=1

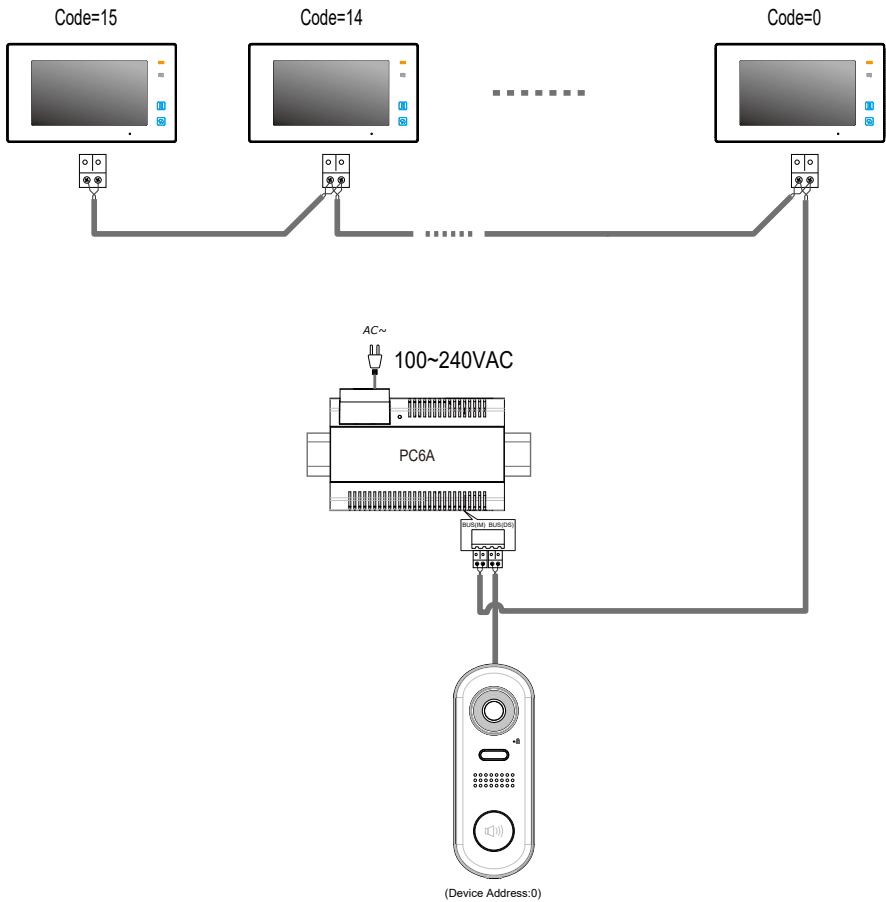


Multi Door Stations Connection



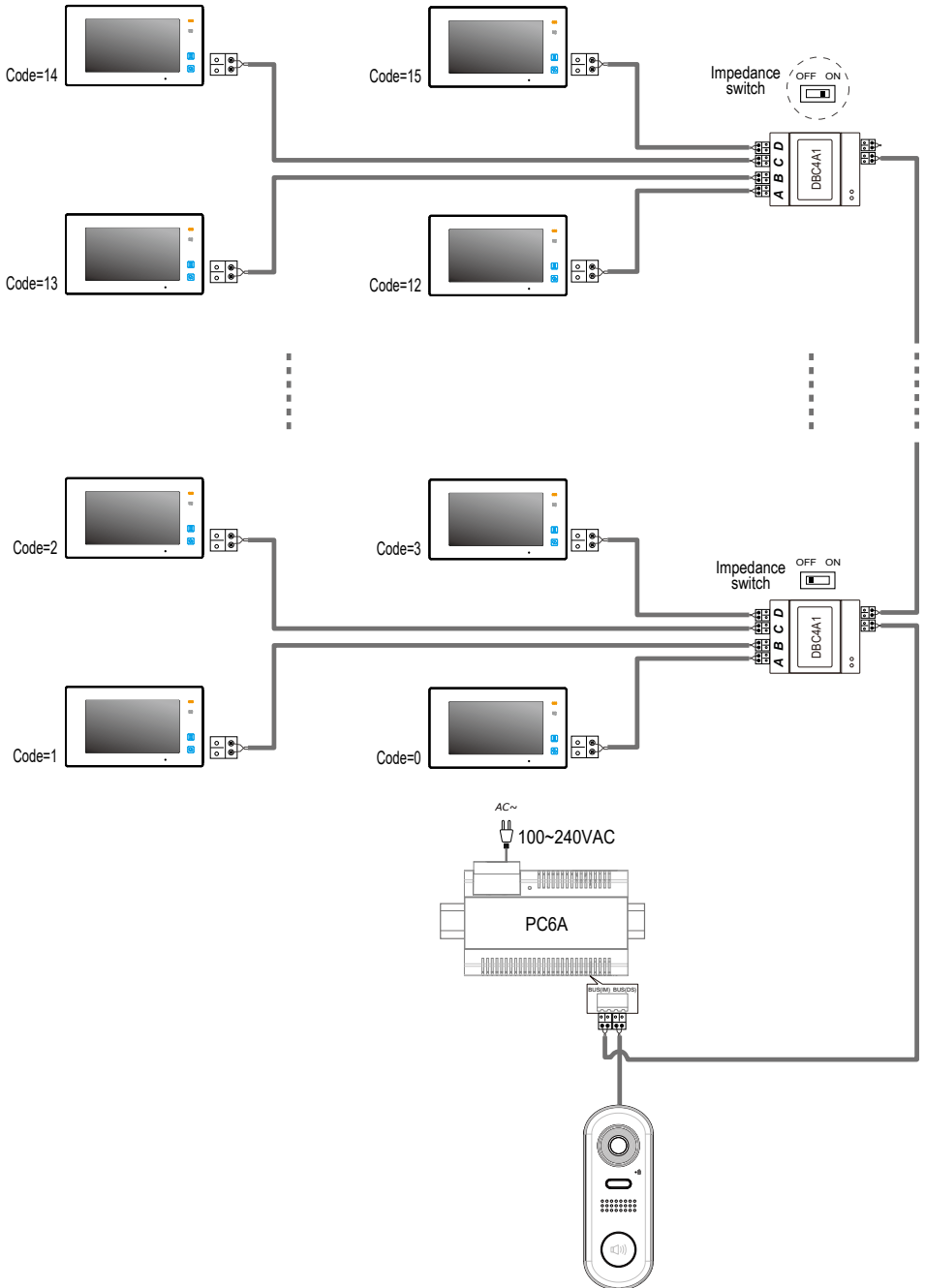
Multi Monitors Connection

Basic IN-OUT Wiring Mode



NOTE: Here we take DT47MG(the monitor) for example.

With DBC4A1 Wiring Mode



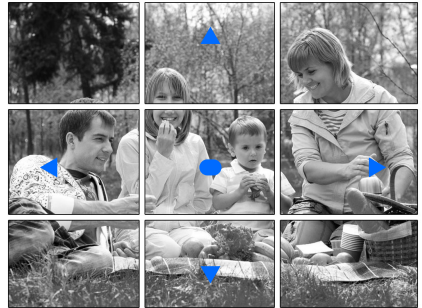
5. Pan-tilt & Zoom

Note that this function requires the monitor with fish-eye function to support.

It is available to adjust the display mode for viewing images at a fish-eye door station by using the 5 direction pad button.

When an image at a door station is displayed, move to the desired position by touching ▲ ▼ ● ◀ ▶ on the screen to view the image in zoom mode.

Note: The edge of pantilt image will not be displayed.



Screen of monitor

Here are some examples:

Press **CALL** button on outdoor station and the Monitor rings with screen on, or during monitoring state, the visitors' image will be shown on screen:

In five direction pad mode, you can zoom in or zoom out the range of monitoring to identify everyone at the entrance.

Touch ● icon to zoom the center position.



When you press any lattice of the five direction pad, the lattice screen will be enlarged to full screen.

Press ◻ to return to the full screen mode; Press ◀, ▲, ▶ to move, in order to see individuals up close.

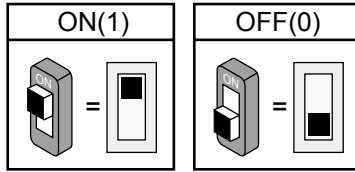
6. LED status

Different LEDs ON to represent different states.





Please refer to the figure below.

LEDs Status	LED_UNLOCK	LED_CAM	LED_KEY
Monitoring	--	Auto (by default)	ON (by default)
Calling	--	Auto (by default)	Flash quickly
Talking	--	Auto (by default)	Flash slowly
Unlock	ON	--	--
Upgrad	ON	--	--
Setup/ Initilization	ON	--	--

7. Door station address setting

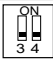





Total 2 bits on the DIP switches can be configured. The switches can be modified either before or after installation.

Bit state	Descriptions
	Default setting, ID = 0(00), set to the first Door Station.
	ID = 1(01), set to the second Door Station.
	ID = 2(10), set to the third Door Station.
	ID = 3(11), set to the fourth Door Station.

8. Unlock time setting

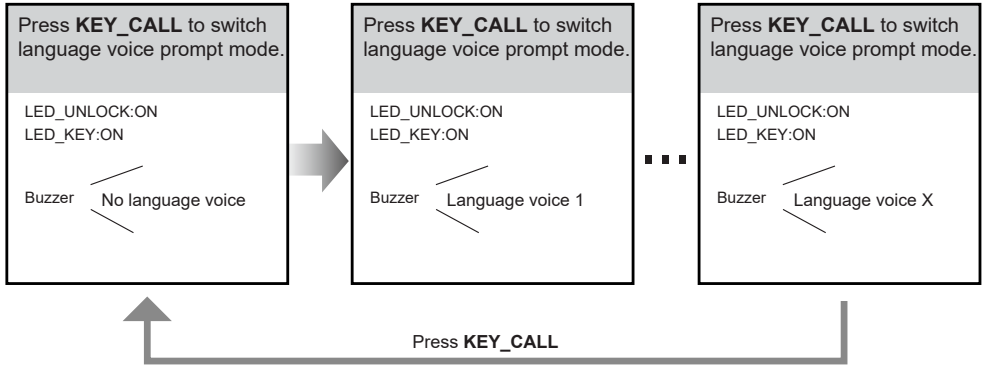
Total 2 bits on the DIP switches can be configured. The switches can be modified either before or after installation.

Bit state	Descriptions
	Default setting, unlock time is Xs(Default value can be changed).
	Set to the unlock time is 3s.
	Set to the unlock time is 5s.
	Set to the unlock time is 10s.

8. Setup

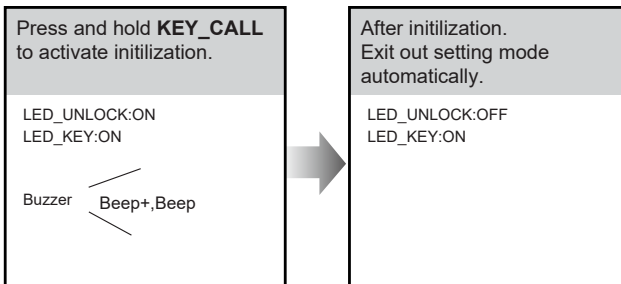
Set bit 6 to ON or connect power, and within 10s, press and hold KEY_CALL to get into setting state.

Switch Language Voice



- If without any operation in 10 seconds, it will exit out setting mode automatically.

Initilization



- If without any operation in 10 seconds, it will exit out setting mode automatically.

9. Specifications

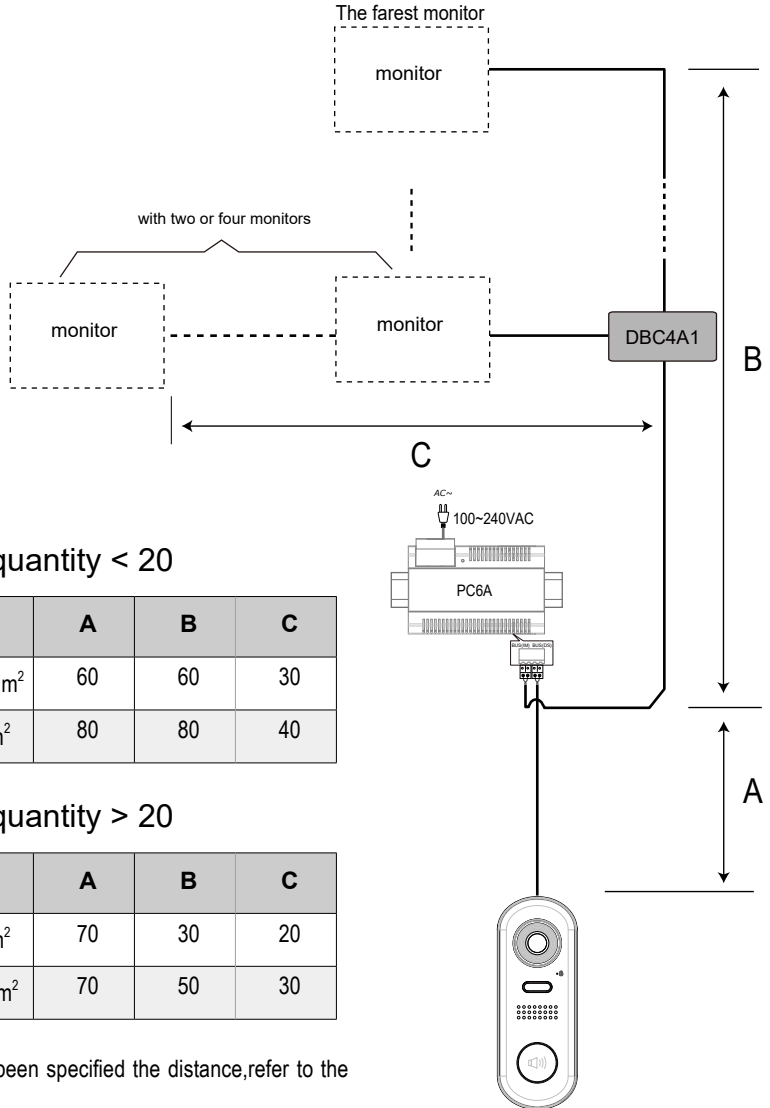
- Power Supply : DC 24V ;
- Power Consumption: Standby 14mA; Working status 122mA;
- Camera: Color CMOS, 2.0 Mega pixel
1/2.7" fisheye camera, 155° wide angle;
- Lock Power supply: 12Vdc, 250mA(Internal Power);
- Mounting: Surface mounting
- Working temperature: -15°C ~ +55°C
- Dimension: 160(H)×60(W)×31.5(D)mm

10. Precautions

- Please clean the unit with soft cotton cloth, don't use the organic impregnant or chemical clean agent. If necessary, please use a little pure water or dilute soap water to clean the dust.
- The unit is weather resistant. However do not spray high pressure water on access control keypad directly. Excessive moisture may cause problems with the unit.
- You must use the right adaptor which is supplied by the manufacture or approved by the manufacture..
- Pay attention to the high voltage inside the products, please refer service only to a trained and qualified professional.

11. Cables Requirements

The maximum distance of the wiring is limited in the DT system. Using different cables may also affect the maximum distance which the system can reach.



When Monitor quantity < 20

Cable Usage	A	B	C
Twisted cable 2x0.75 mm ²	60	60	30
Twisted cable 2x1 mm ²	80	80	40

When Monitor quantity > 20

Cable Usage	A	B	C
Twisted cable 2x1 mm ²	70	30	20
Twisted cable 2x1.5 mm ²	70	50	30

Note: If the monitor has been specified the distance, refer to the parameter.

Note

A series of horizontal dotted lines for writing notes.

The design and specifications can be modified without notice to the user. Right to interpret and copyright of this manual are reserved.