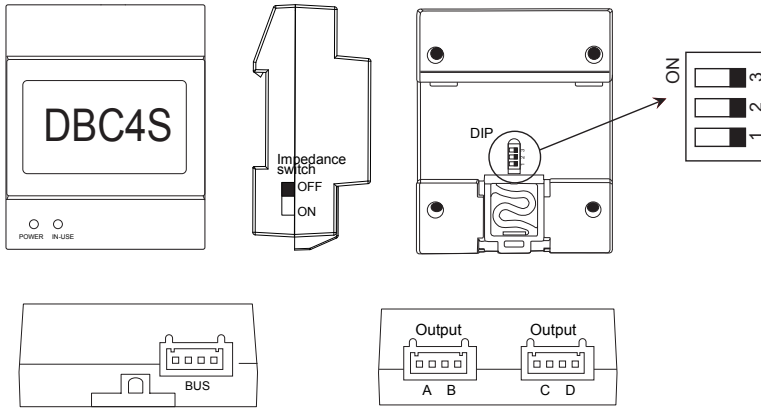


1. Parts and Functions



IN-USE:Status indicator,it will light up when receives signal.

POWER:Working indicator,it will light up when plugs in power supply.

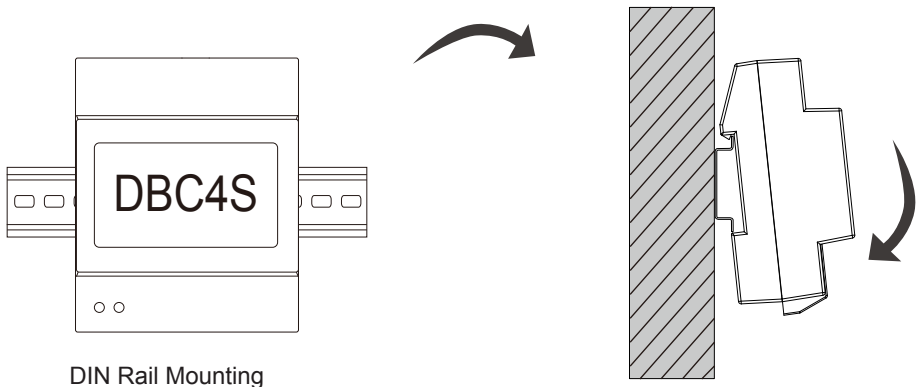
Impedance Switch:Video match switch,the last DBC4S at the end of the bus should set ON to match the video impedance,the power indicator will turn to orange after setting.

Bus:Input port,bus connection port.

A,B,C,D:Output port,connect to indoor monitors or door stations.

DIP :Used for current control when connected with different devices.

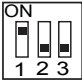


2. Unit Mounting



DIN Rail Mounting

3. DIP Switch Setting

The DIP switch in the back of the panel is used to adjust the terminal start-up current. Please refer to the followings for more detail informations about the DIP settings:

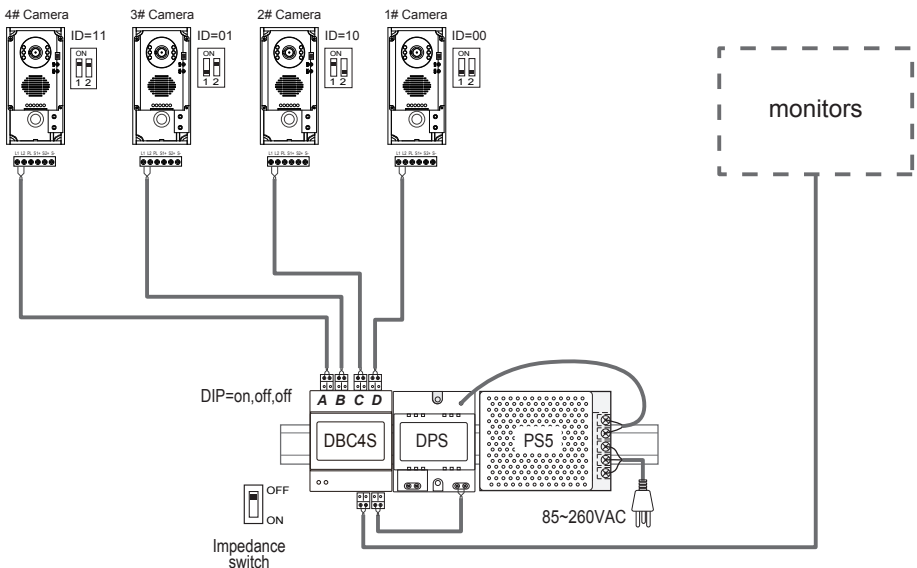
DIP	Bit State	Descriptions
	ON,OFF,OFF	The output port A,B,C,D connected with the device such as monitor(all DT model monitors),outdoor camera(DT59x),and DMR11 series without ID function model.
	OFF,ON,OFF	The output port A,B,C,D connected with DMR11 series with ID function model.
	OFF,OFF,ON	The output port A,B,C,D connected with DMR18 or DMR18/ID series door station.

Please note that DT59x(like DT591) and DMR18 can not be connected to the same DBC4S, If it happen,please use two DBC4S.

The same situation as DMR11 and DMR18 model.

4. System Wiring with DBC4S

Mult Door Station Wiring:



Note:the diagram uses DT591 as an example.

5. Specification

Power Supply :	DC24V
Working Temperature:	-10°C~+40°C;
Wiring:	2 wires (non-polarity);
Dimension:	89(H)×70(W)×45(D)mm

The design and specifications can be changed without notice to the user. Right to interpret and copyright of this manual are preserved.