

Stand Alone Keypad - Programming instructions

Programming

The Keypad is programmed via the buttons using a 4 Digit Master code and each User code has a slot number 001-050 for each 2-8 Digit code to be stored. The Door open time for the relay can be set for 1-99 seconds or can be set to Toggle On and Off.

To Add a Single User code (2-8 Digits):-

1. Enter: # 1 2 3 4 # - Double beep and Red Led flashes.
2. Enter: 3 digit Slot number 001 to 050 - Double beep.
3. Enter: New Code # Repeat Code - Double beep.
4. Enter: # to exit Programming - Double beep and Red Led goes out.
Note: Individual codes can't be deleted but can be re-programmed into the Slot number.

To unlock the Door:-

Enter: User code # - If correct - Long beep and Yellow Led (If incorrect code - Long beep Red Led)

To Change Door Open time:-

1. Enter: # 1 2 3 4 # - Double beep and Red Led flashes on/off.
2. Enter: 251 to change time - Double beep.
3. Enter: Number of Seconds # Repeat Number of Seconds - Double beep.
(Number of seconds must be 01 to 99 or 00 for Toggle option*)
*Note: Toggle option can only be used with 12v DC systems.
4. Enter: # to exit Programming - Double beep and Red Led goes out.

To Delete ALL user codes:-

1. Enter: # 1 2 3 4 # - Double beep and Red Led flashes on/off.
2. Enter: 253 to delete all users - Double beep.
3. Enter 8 8 8 8 # 8 8 8 8 - Wait for long beep.
4. Enter: # to exit Programming - Double beep and Red Led goes out.

To Change the 4 digit Master code:-

1. Enter: # 1 2 3 4 # - Double beep and Red Led flashes on/off.
2. Enter: 000 to change Master code - Double beep.
3. Enter: New 4 digit Code # Repeat 4 digit Code - Double beep.
4. Enter: # to exit Programming - Double beep and Red Led goes out.

To Reset keypad to Factory defaults:

1. Switch off power to the keypad (check blue Led has gone out).
2. On the back of the keypad (top left corner of PCB) move the black peg from Normal position to Restore position.
3. Switch on the power and move peg back to Normal position. Unit is now reset to Factory default.

Stand Alone Keypad Installation and Programming Instructions



Contents:

- Page 2: Installation instructions and Wiring for Fail Locked Electric strike
- Page 3: Wiring detail for Fail Un-Locked Electric Strike and Magnetic Lock
- Page 4: Programming Instructions and Restore Factory defaults procedure

Specification:

- Operating Voltage: 12v AC or DC +/- 10%
- Maximum Operating current: 80mA
- Maximum Relay Output: 2amps @ 12v DC
- Number of users: 1 to 50
- Dimensions: 116 x 74 x 22mm

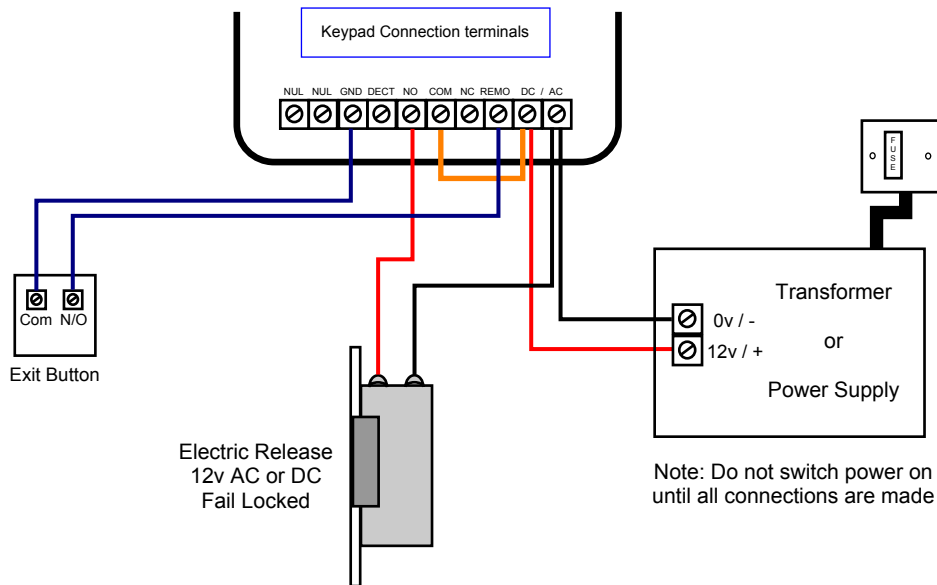
Stand Alone Keypad - Installation instructions

The Keypad is a robust vandal resistant keypad which is suitable for Internal/External installations for controlling an Electric Lock or Magnetic Lock. It can also be used to trigger an Automatic Door or Barrier. The keypad can be connected to a 12v AC Transformer or 12v DC Regulated Power supply with a minimum load rating of 1 amp. The maximum current draw of the Lock or Magnet is 2 amps. A Single User code or up to 50 codes can be added (2-8 digits long). The Relay of the keypad can be set for 1-99 seconds delay or can be set to Toggle On/Off. Programming is done via the buttons using a 4 digit Master code.

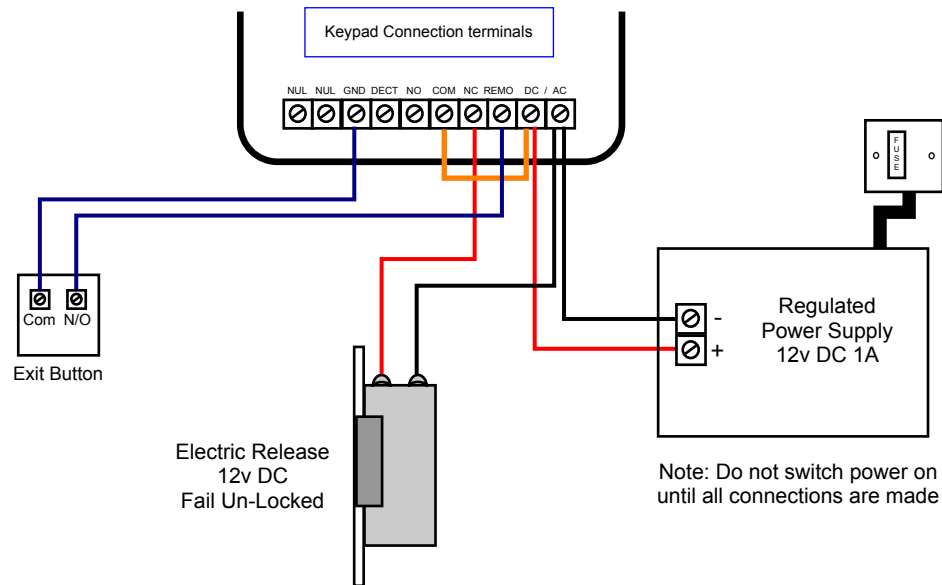
Installation

- Step 1.** Using the keypad backplate as a template fix to a flat/level surface. (the keypad should be fitted at 1 to 1.5 metres from the floor).
- Step 2.** Run 2 core 0.5mm² cables through the wall for the Electric lock, Power unit and Exit Button. Seal cable entry hole.
- Step 3.** Fit Transformer or Power supply as per Manufacturer instructions.
Fit Electric lock/Magnetic lock as per Manufacturer instructions.
If required fit Exit Button as per Manufacturer Instructions.
- Step 4.** Connect the Electric lock and Exit Button (if required), then connect the Transformer/Power supply as per the wiring detail below.
Fix the Keypad to the backplate with the Torx screw at the bottom.
- Step 5.** Apply power to the Transformer/Power supply and check that the Blue LED is lit on the keypad. If an Exit button is fitted press it and check if the Yellow LED lights and the Electric Lock/Magnetic lock is released.

Wiring detail for 12v AC or DC Electric Strike Fail Locked



Wiring detail for 12v DC Electric Strike Fail Un-Locked



Wiring detail for 12v DC Electro-Magnetic lock c/w Emergency Call Point

