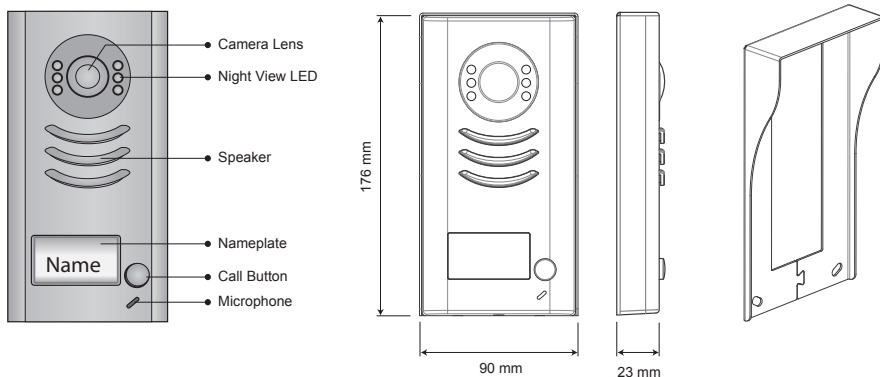


VT-591 Outdoor Camera User Manual

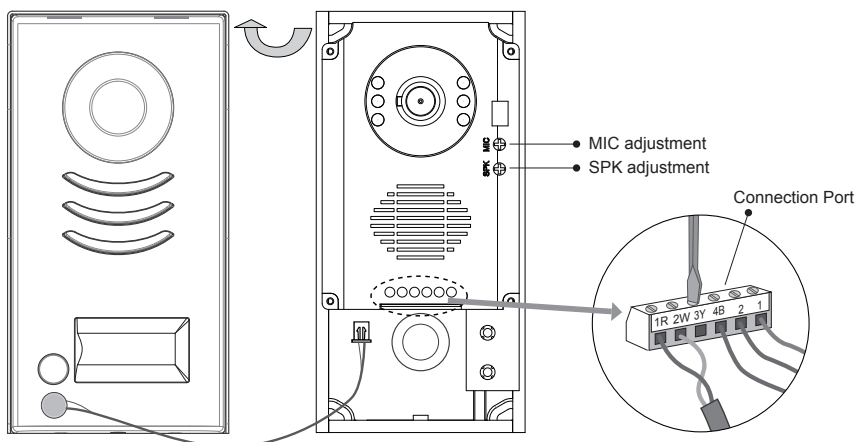
Precautions: Do not install camera/bell where there would be a bright light behind the visitor (or where there would be a bright background), or in a place where the camera lens would be directly exposed to sunlight or a bright light. If light shines directly into the outdoor camera lens, the image will be over-exposed; it will look white or silhouetted. Take precautions against this. Do not install the unit in places where is constant vibration, extreme heat or unusual external interference.

Important: Connect the **1R/2W/3Y/4B** of Camera to **1R/2W/3Y/4B** of Monitor. **ONLY** one type of electronic lock, which is **Power-On-To-Open(Power-to-Unlock)** type, can be connected to the Camera.

Parts and functions

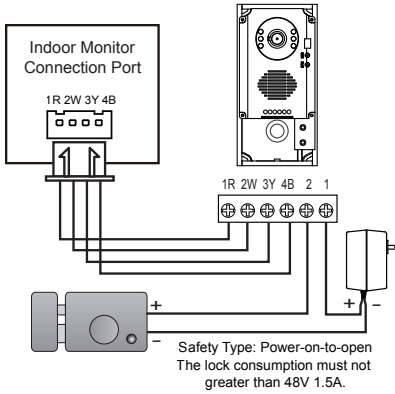


Terminal Descriptions

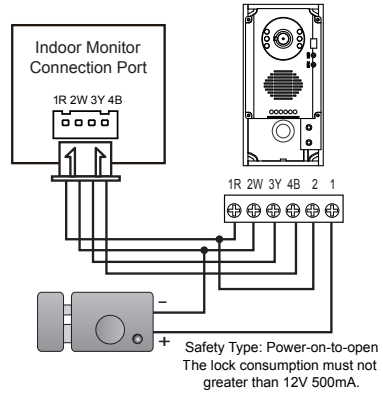


System and Lock Connection

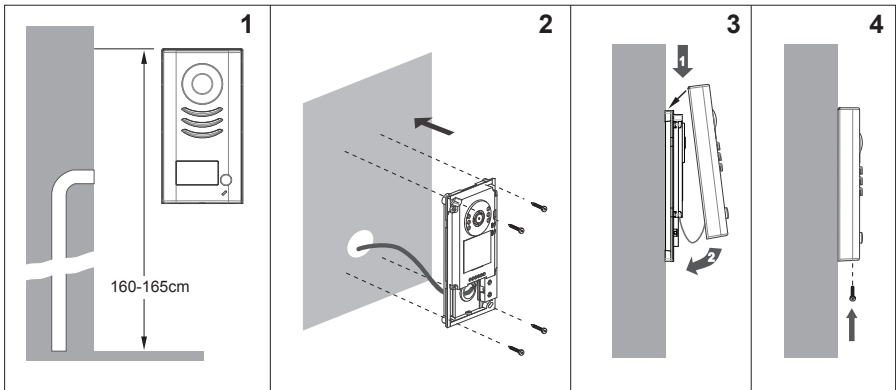
Use Additional Power Supply



Power Supply From Monitor



Mounting Without Rain Cover



Mounting With Rain Cover

