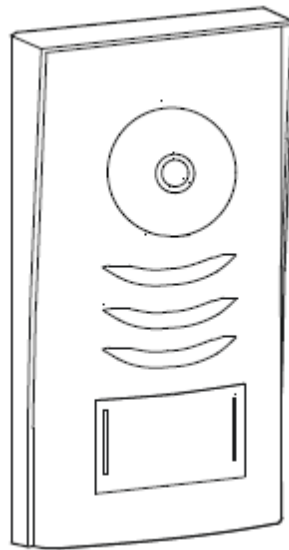
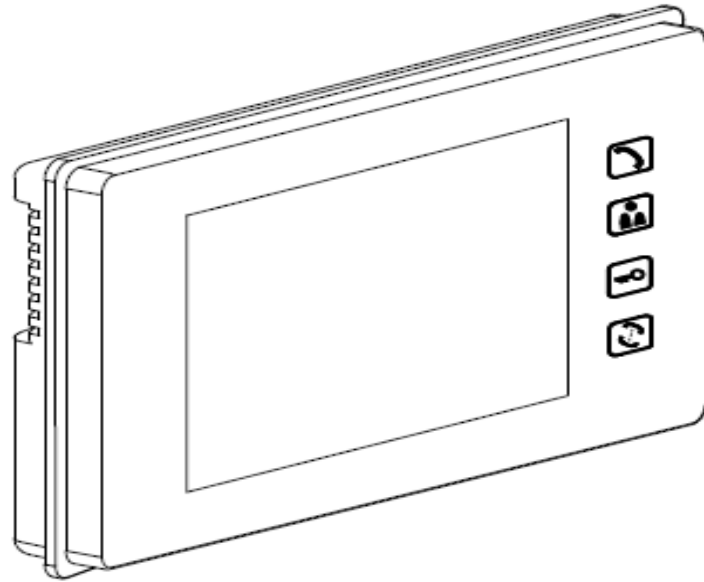


SECURITY VIDEO INTERCOM



Wide Screen 7" Monitor

N T I 700

Manual covers Single and Duo systems

Video Monitor Installation guide

bracket

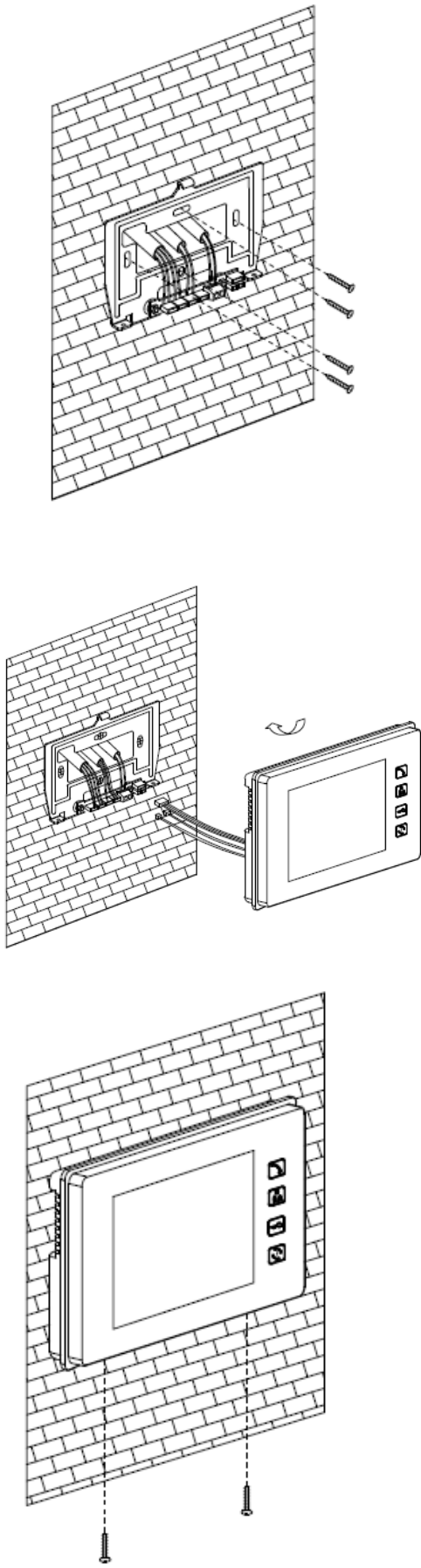


Fig.1

Install the door stations about 1.55M~1.60M from the ground

Door Station Installation guide

Surface mount with Rain cover mounting

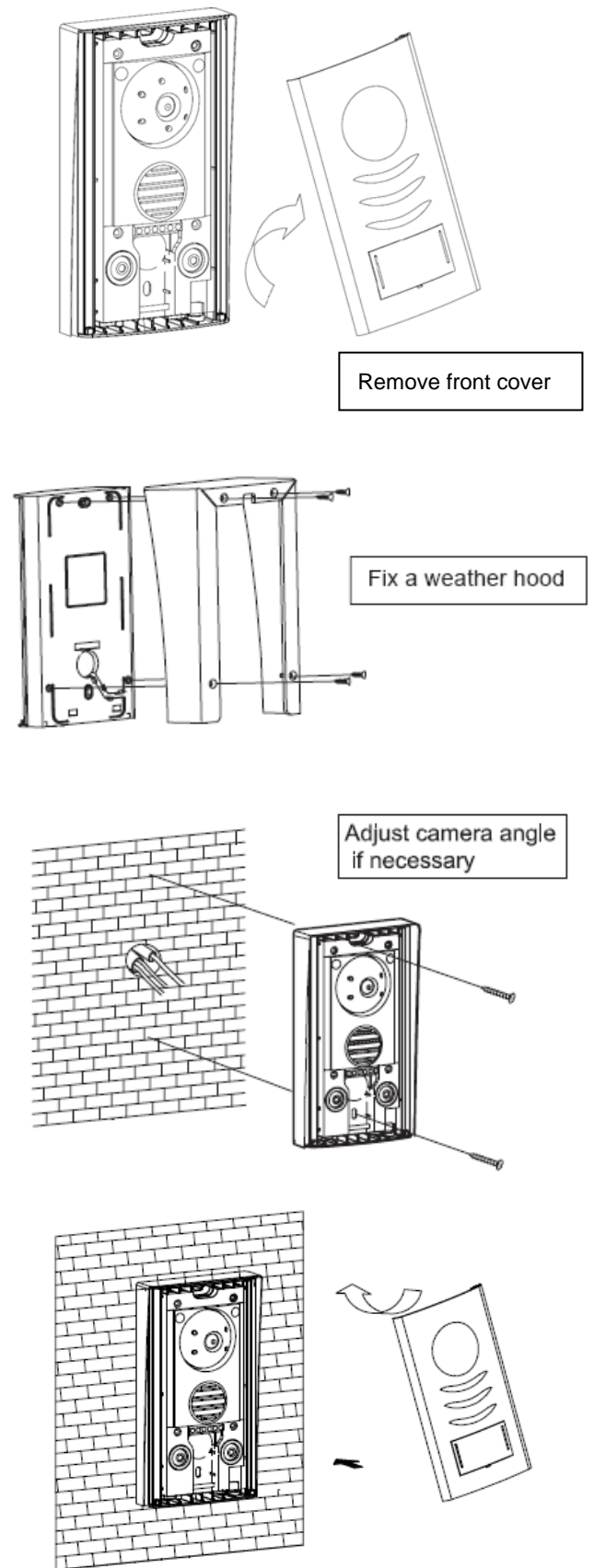
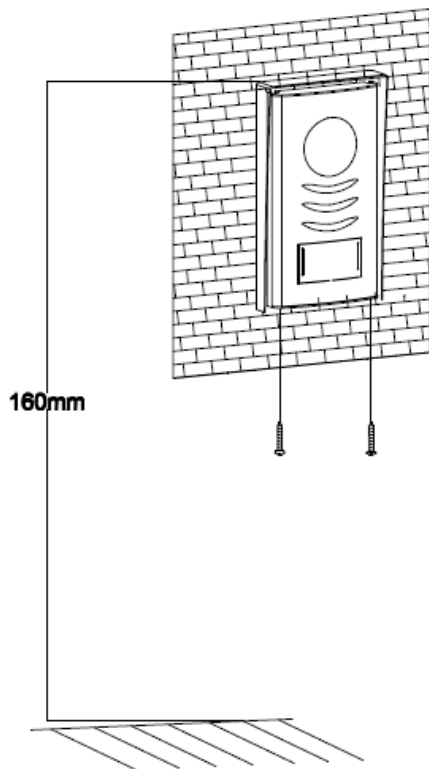


Fig.2

Install the door stations about 1.55M~1.60M from the ground

Door Station Installation Guide -Surface mount



Install the door stations about 1.55M~1.60M from the ground.

Keep the units away from snow, rain and direct sunlight

Dimensions

- Overall size of front panel :
99mm(W)x181mm(H)x31mm(D)

Fig.3

Door Station Installation and a Name Tag Holder assemble guide

1. Write desired name on a white plastic label provided.
2. Insert white plastic label to the clear plastic label holder.
3. Remove the front aluminum cover from a door station.
4. Insert above name tag holder to the black plastic from the back side of the aluminum.
5. Install the door station back body to a wall.
6. Assemble the aluminum cover with 2 screws provided from the bottom.
(Warning! Be careful not to screw into a microphone hole)

Video Monitor features



Fig.4

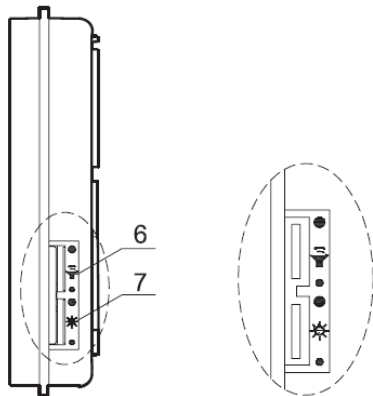


Fig.5

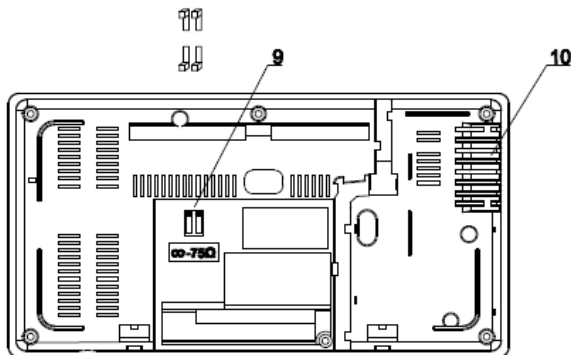


Fig.6

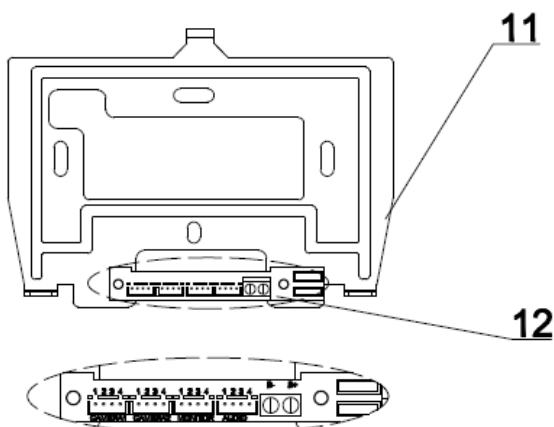


Fig.7

1. Screen
2. TALK/OFF button
When it rings it is activate a communication line and also to turn the screen off.
3. MONITOR/SWITCH button
Press to turn on the monitor manually.
When it is on, you can switch the screen from one door station to the other. To turn off, press TALK button twice.
4. DOOR OPEN button
When the monitor screen is off, press-and-hold this button for 3 seconds to change the ring tone then press the DOOR OPEN button to set the ring tone.
5. Interphone button (Refer to page 8)
6. Allows you to call other monitors for internal communication.
7. Microphone.
8. Ring Tone Volume
Allows you to adjust the ring tone.
9. Brightness adjustment
Allows you to adjust the brightness.
10. Master/Slave Settings
The monitor that is connected to any camera MUST set its' two DIP switches to MASTER position.
Rest of the monitor's two DIP switches must be set to SLAVE position.
11. Speaker
12. Wall mount bracket
13. Connection Terminal Description

- 1) 4P – Camera 1
1. Audio 2.GND 3.B+ 4.VIDEO
- 2) 4P – Camera 2
1. Audio 2.GND 3.B+ 4.VIDEO
- 3) 4P – slave Monitor
1.SV(VIDEO) 2.SA(AUDIO) 3.DATA
4.GND
- 4) 4P – slave Audio set
1.B+ 2.AUDIO 3.DATA 4.GND
- 5) 2P – Power
1.B- 2.B+

Door Station features

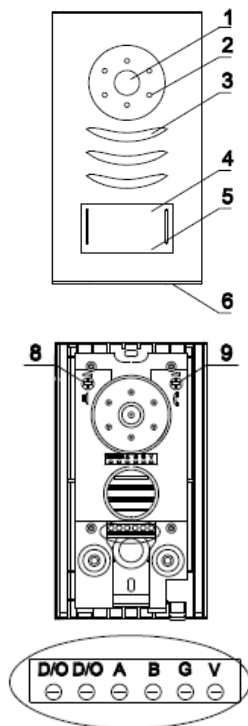


Fig.8

1. CCD Camera
 2. White LEDs for night vision
 3. Speaker
 4. Name Plate
 5. CALL Button
 6. Microphone
 7. Cable terminals to monitor
A (Audio), G(Ground), B(DC10V),
V(Video) to Monitor
DO1 & DO2 : Voltage-free Normally Open
Door open contact
- WARNING! The following variable registers should be adjusted qualified technicians ONLY
8. Speaker volume on the Door Station
 9. Microphone sensitivity on the Door Station

Descriptions of Power supply FUTURO-7PSO

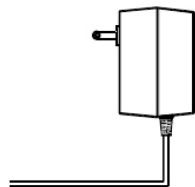


Fig.9

- 16VDC 1.0A Power supply
- (+) : White Broken Line : + DC 16V
 - (-) : Black wire : Ground

Power Supply

Switching power supply

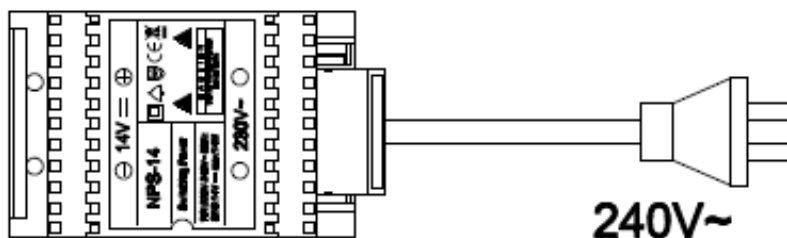


Fig.10

- Primary: AC240V 50Hz
- Secondary: DC14V 1.5A

IMPORTANT!! Please read page 13 & 14 for cable requirements BEFORE running cables

System Connection with one camera and one monitor

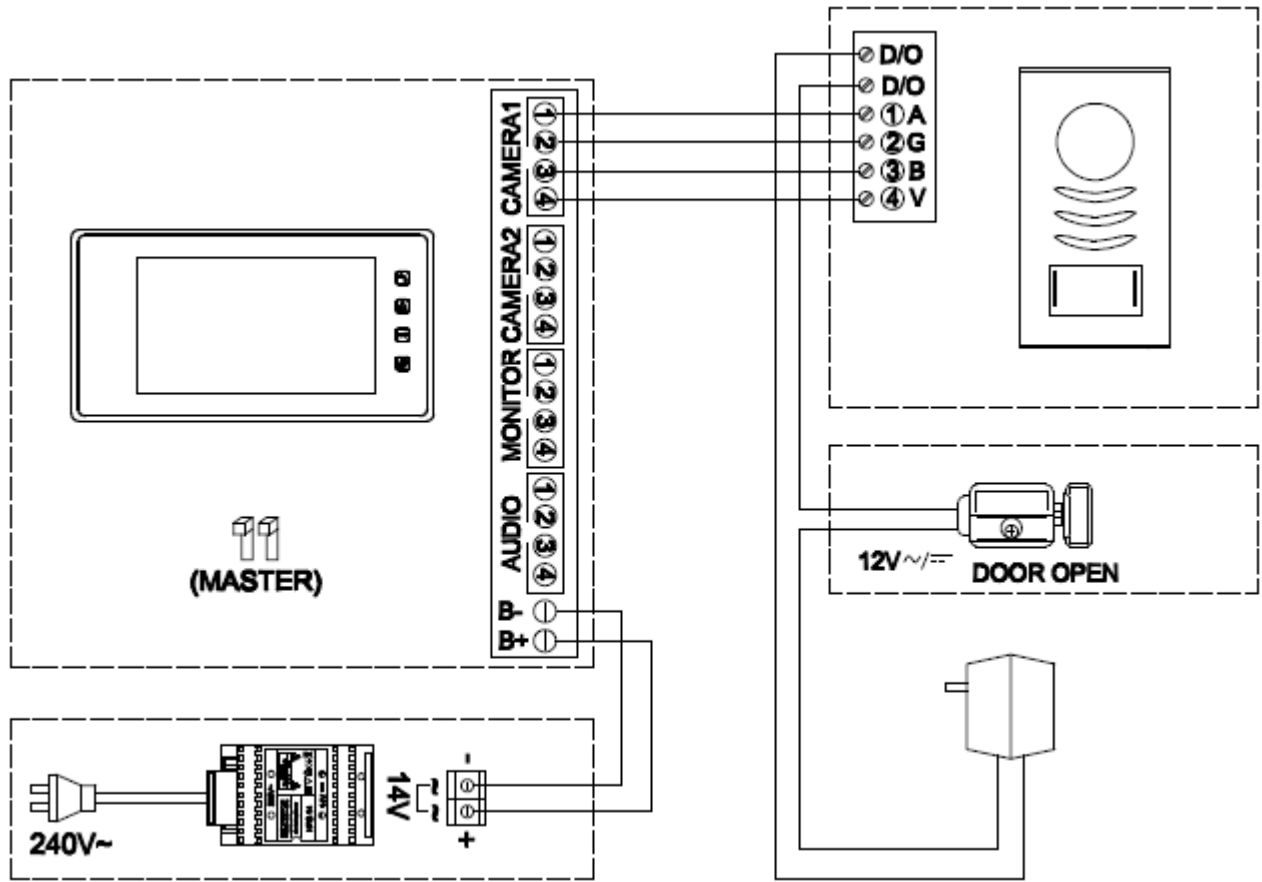


Fig.11

System connection with one camera and one monitor and one audio handset

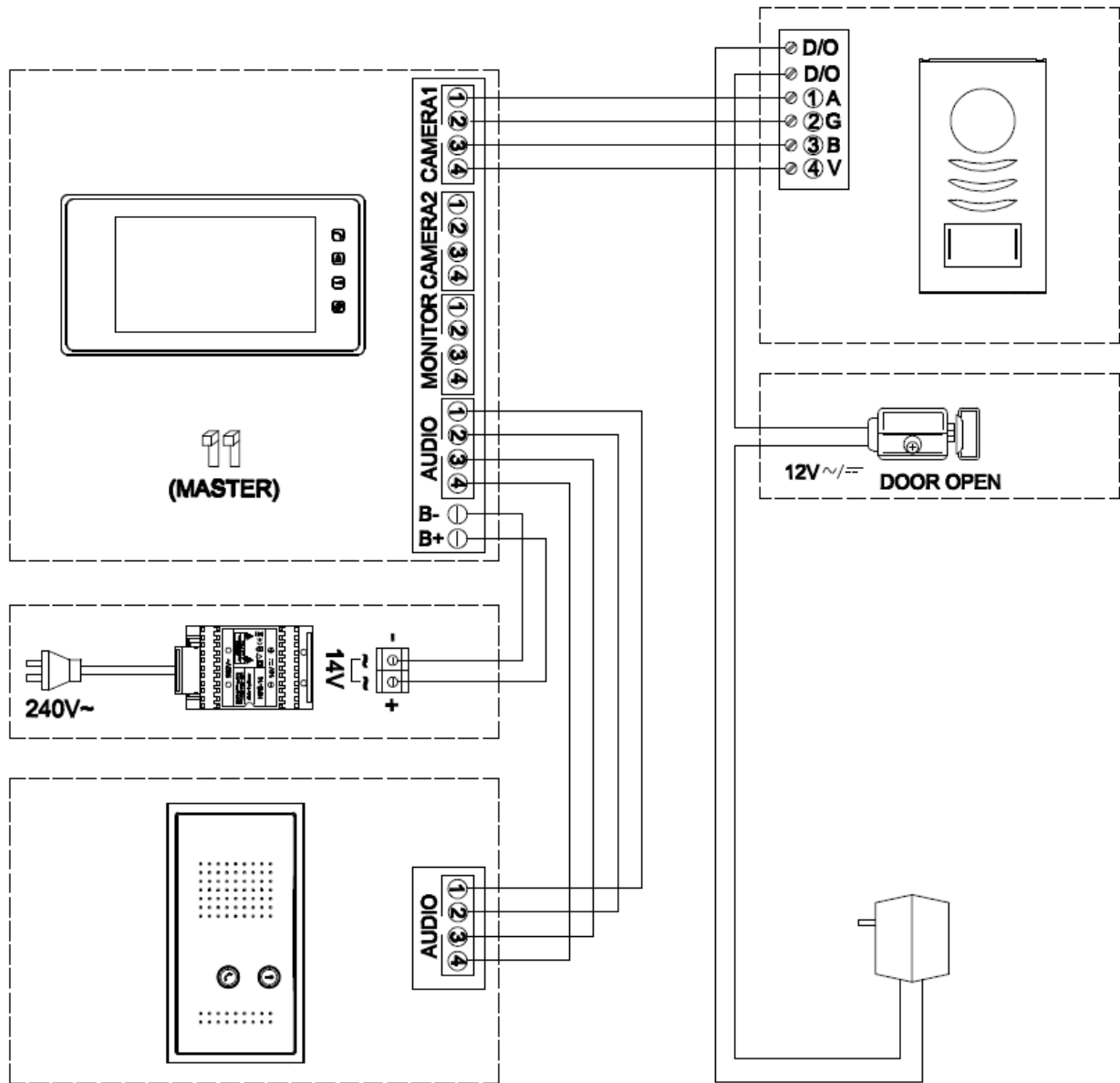


Fig.12

System connection with one camera and two monitors

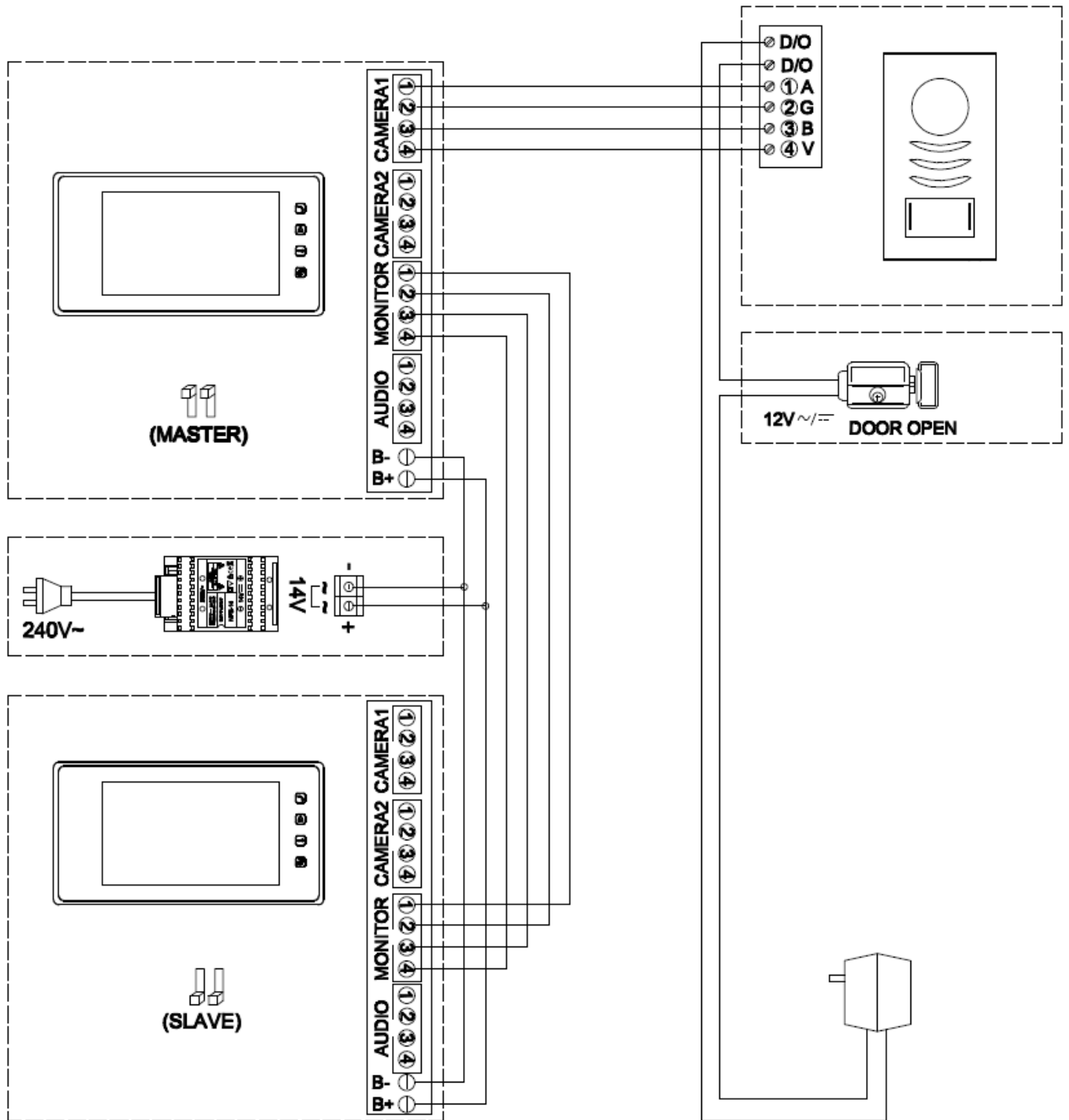


Fig.13

System Connection with two cameras and two monitors

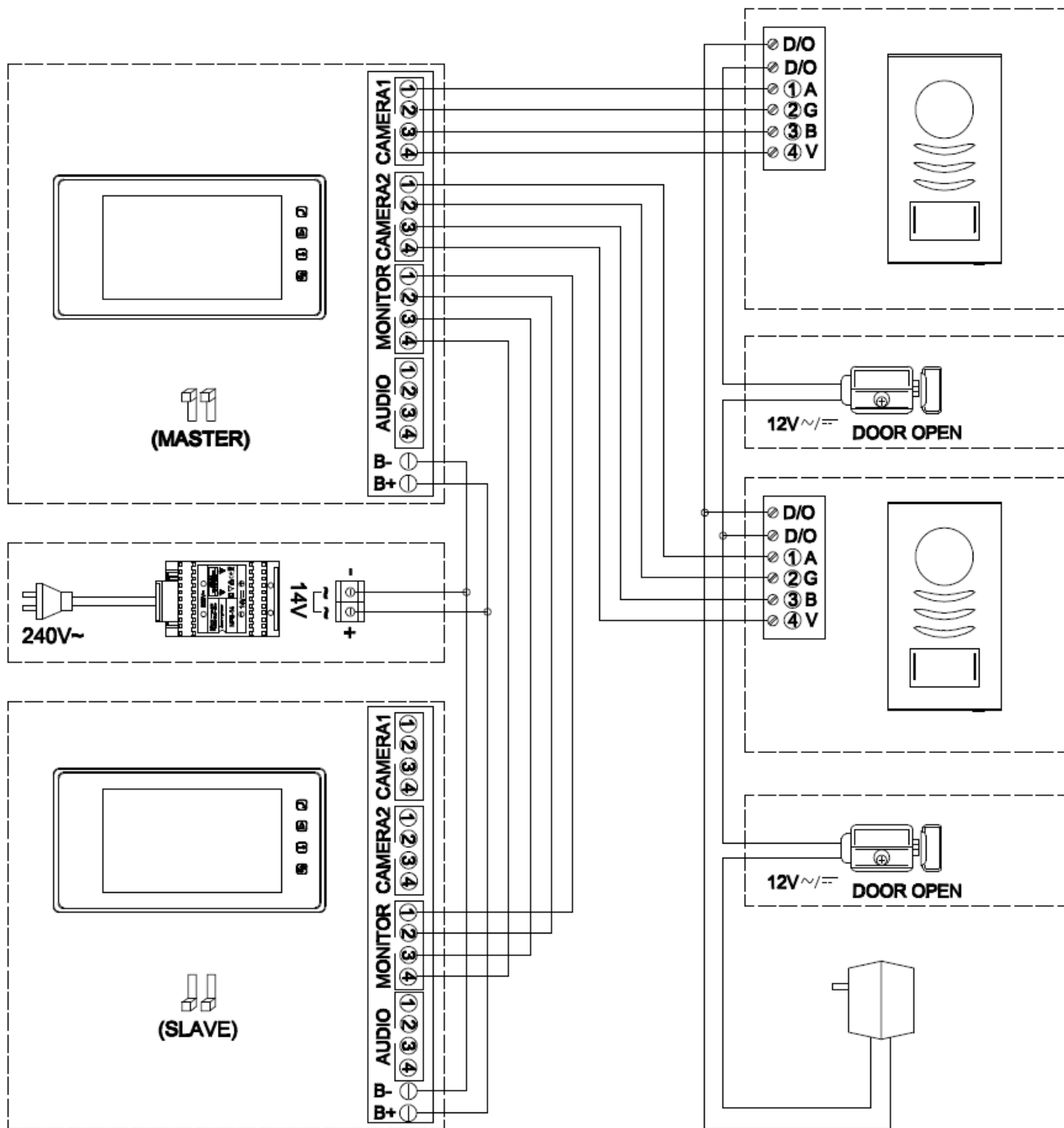


Fig.14

IMPORTANT!! Please read page 14 & 15 for cable requirements BEFORE running cables

System Connection with two cameras and one monitors and one audio handset

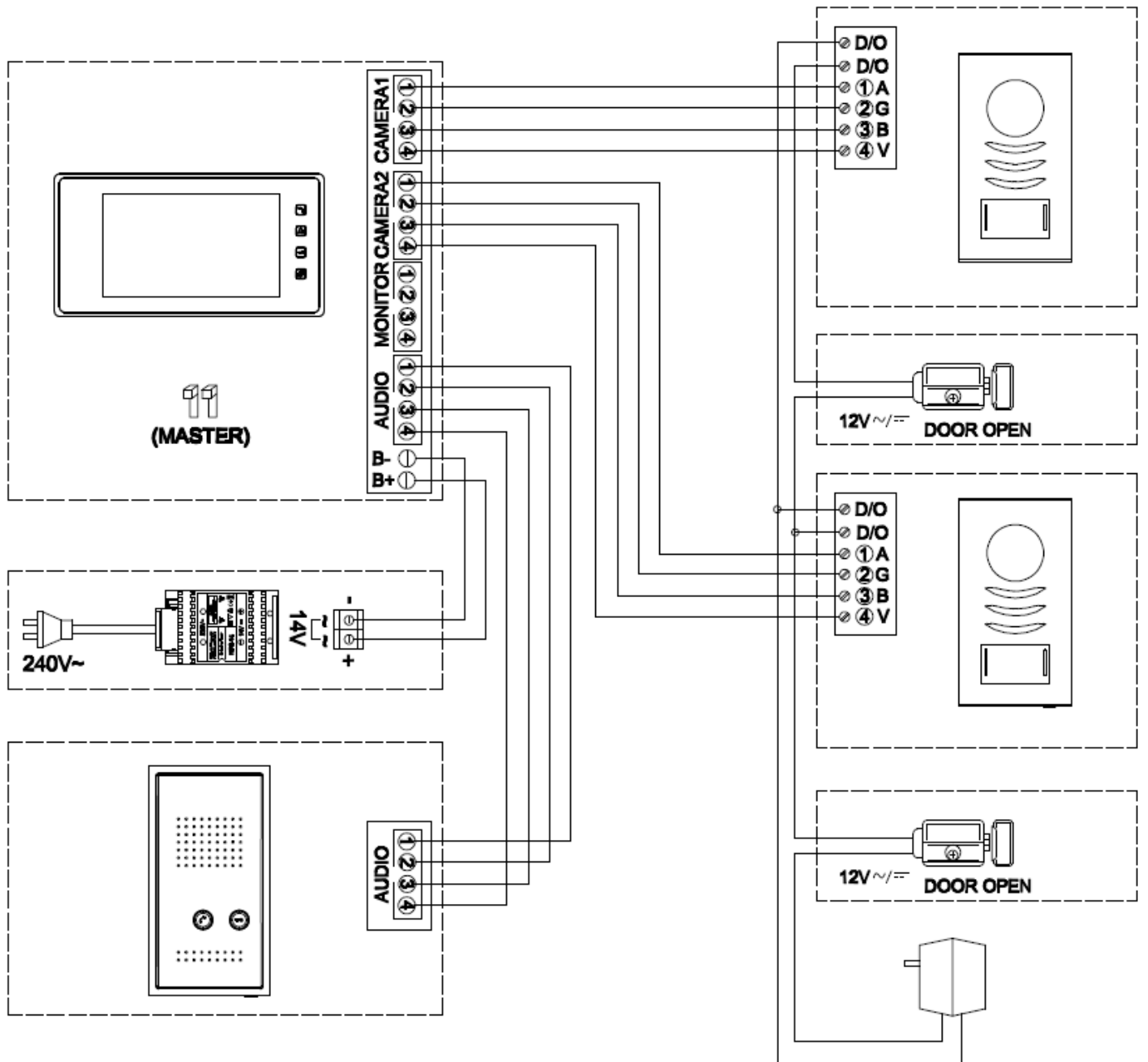


Fig.15

IMPORTANT!! Please read page 14 & 15 for cable requirements BEFORE running cables

System Connection with two cameras and two monitors and one audio handset

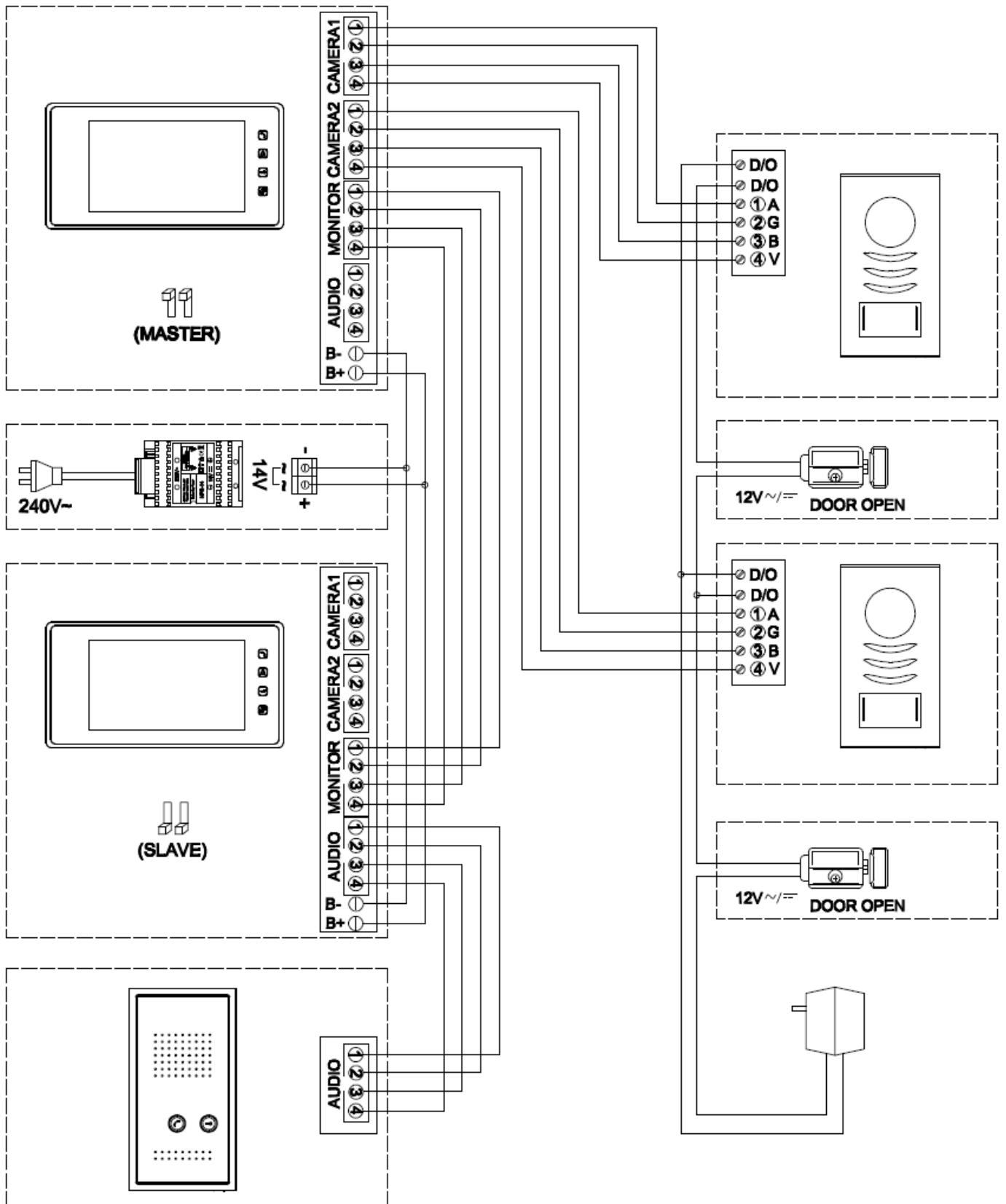


Fig.16

IMPORTANT!! Please read page 14 & 15 for cable requirements BEFORE running cables

System Connection with two cameras and one monitor and three audio handsets

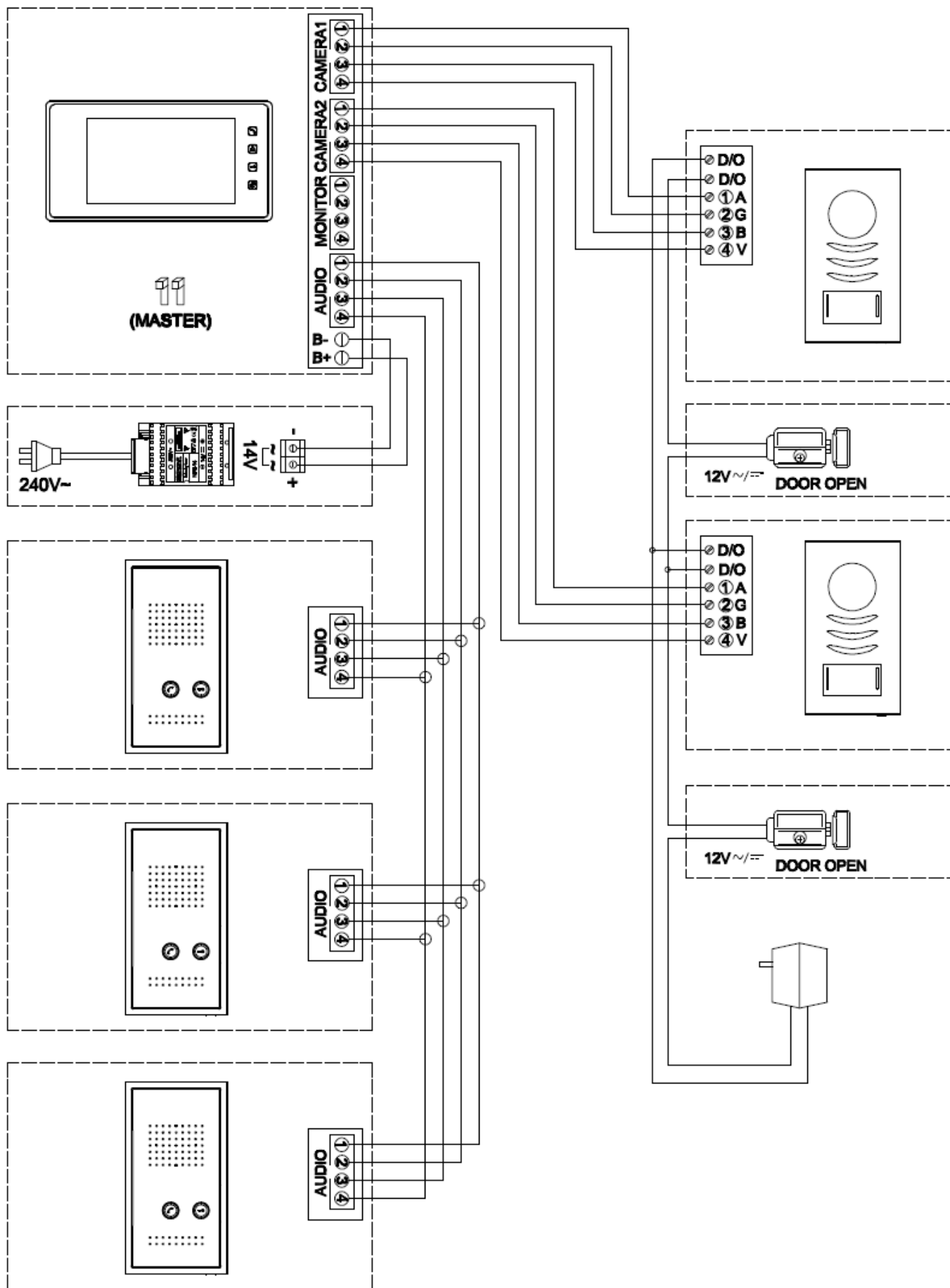


Fig.17

Video distributor GL-D4L-PLUS for multiple monitors

When more than two monitors are installed in a system, it is highly recommended to use a video amplifier GL-D4L-PLUS for better image.

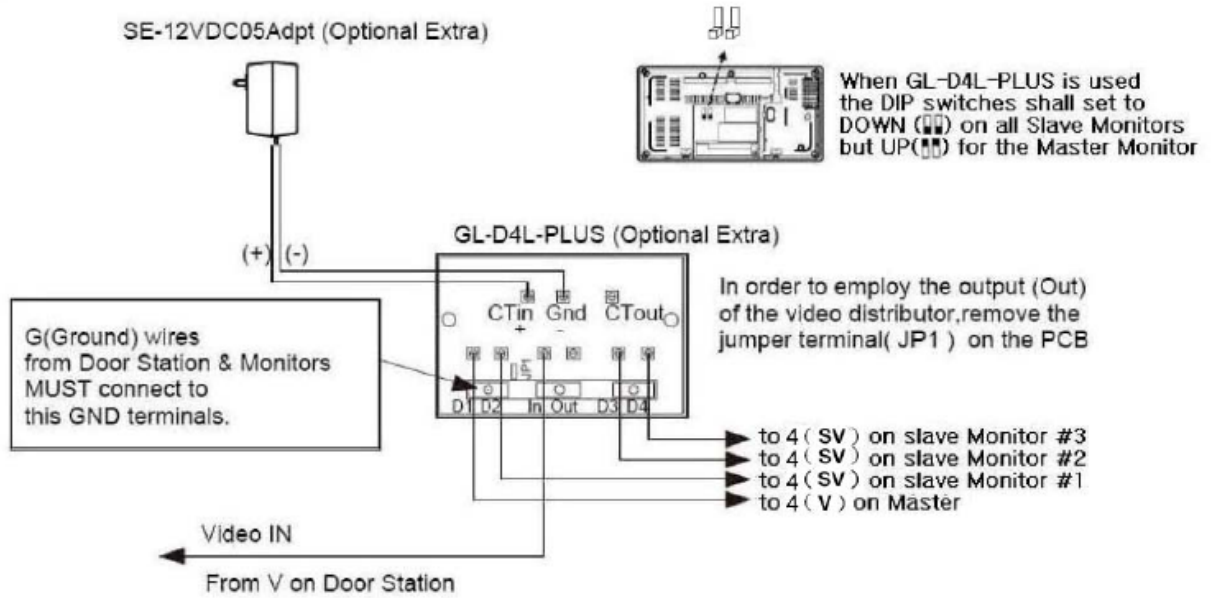


Fig.18

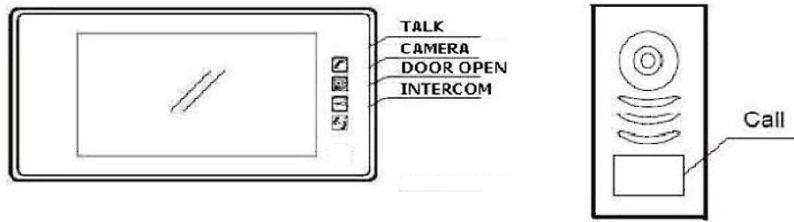


Fig.19

Basic operation

When a caller presses the call button on the door station, a Ding-Dong sounds on the monitor and the video screen light up for 30 seconds. If you are satisfied with the identity of the caller press TALK button to speak (The screen will automatically turn off after 60 seconds).

To turn the screen back on, press MONITOR button once, then you can see the visitor again. To talk to the visitor, press TALK button.

Monitoring door(s)

Press Monitor button on a monitor to see an image from a camera.

When system is connected with two door stations (Camera # 1, Camera # 2) the Camera # 1 will display by default.

Monitor button allows you to switch from Camera # 1 to Camera # 2 by pressing it.

To turn off, press TALK button twice or wait for 60 seconds.

Monitor adjustment

If desired, the ring volume and brightness can be adjusted

Adjust volume at the right hand side of the monitor.

Door Strike operation

When electric door striker and additional power supply for it is in the system, it can be operated from monitor.

While monitoring or talking, press "DOOR OPEN" button to open the electric door striker.

When more than one door stations are in system, it opens a door striker which id being monitored.

Operation for Intercommunication / Baby Monitoring between Monitors

When system is connected with multiple monitors, internal intercommunication and Audio Baby Monitoring is available between monitors.

An Intercom calling can be started by any indoor monitor. Press the "INTERCOM" button, this will ring all other monitors in a system and activate Audio communications between monitors without any further action.

The audio channel will remain active until pressing "Intercom" button again to turn off the function.

During Internal Communication/Audio Baby Monitoring, Intercom LED on monitors will light in Purple.

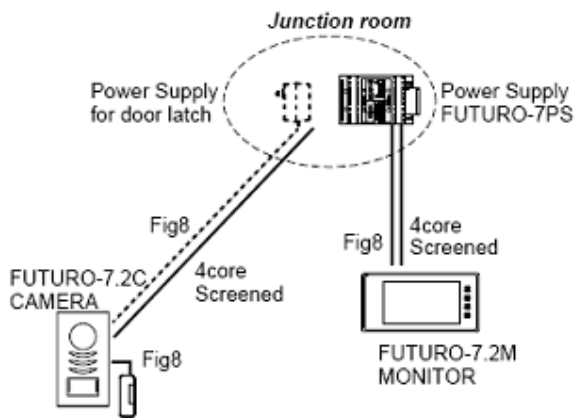


Fig.20

An additional power supply and Fig8 Cable is required for door strike operation (Indicated as broken lines on the diagrams)

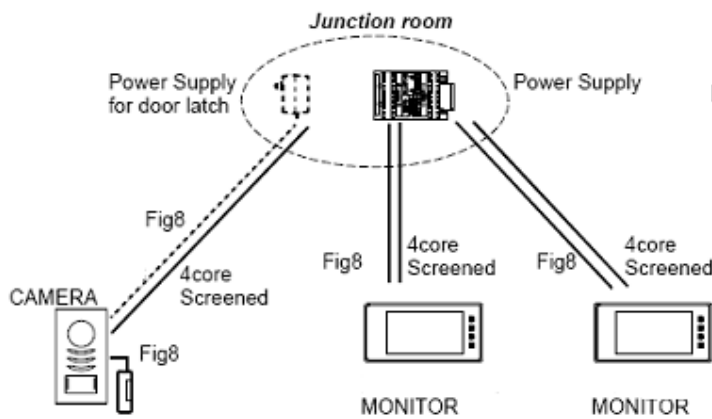


Fig.21

Cable requirement

Based on the distance from a camera to the furthest monitor,

- < 20M :
(0.44mm²) shielded cable
(connect shield to G)
- < 50M :
(0.75mm² shielded cable
(connect shield to G)

- < 100M :
(0.75mm²) shielded cable
(connect shield to G)
AND
RG-59/U for video signal
(connect core to V & shield to G)

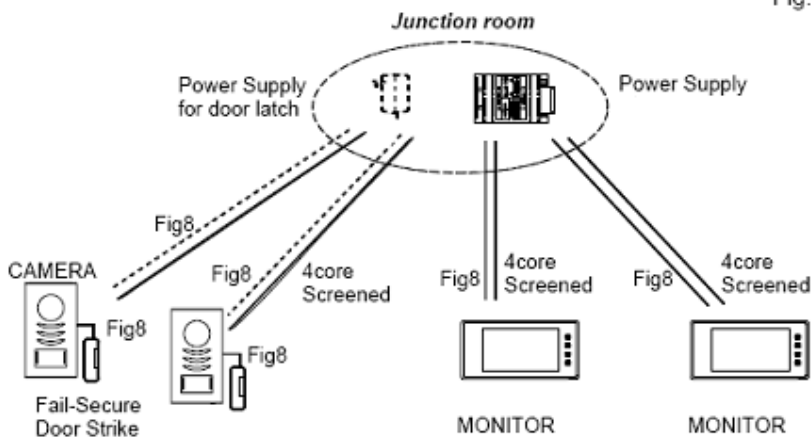


Fig.22

NOTE

Fig 8 : 2Core 24/020 (= 2Core 0.75mm²)

Junction room : Electrical switch room, junction room or ceiling where all wires are joined.

Cable requirement - Daisy Chain (loop-in-loop-out) wiring method

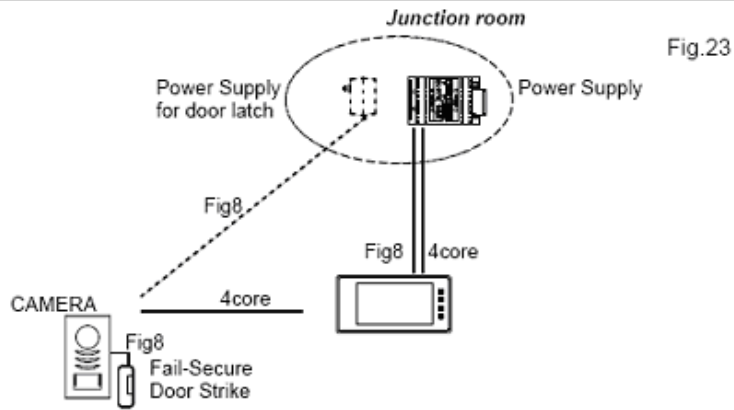


Fig.23

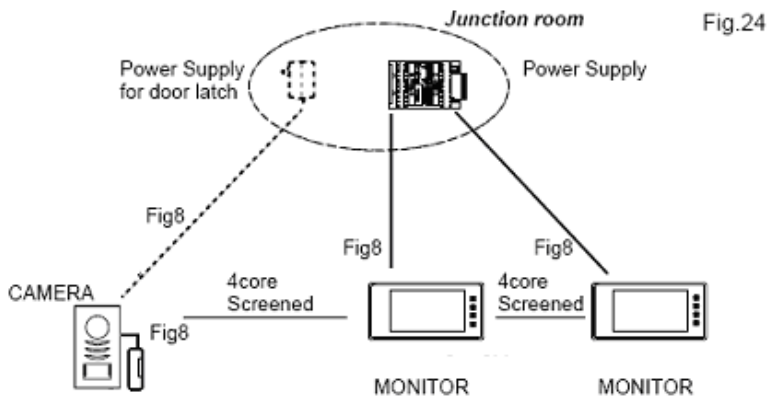


Fig.24

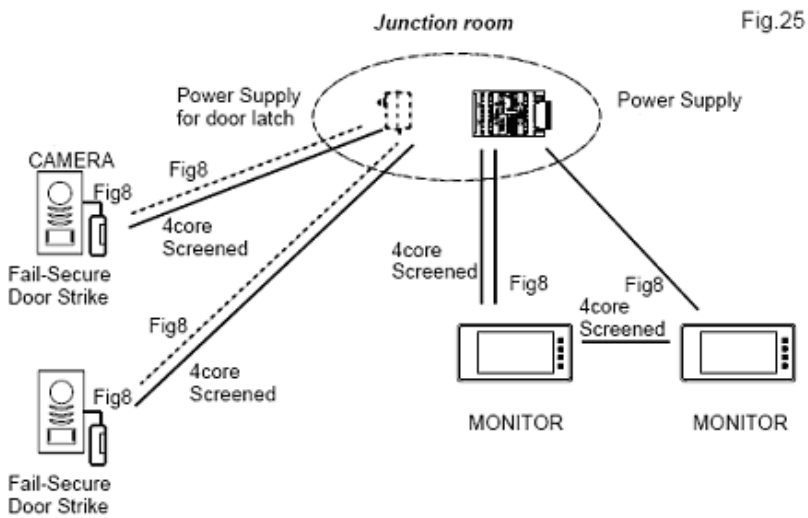


Fig.25

NOTE :

Fig 8 : 2Core 24/020 (= 2Core of 0.75mm²)

Junction room : electrical switch room, junction room, ceiling

MEMO

WARRANTY CARD

NB Please keep this document safe, as it is proof of your Warranty
Your Video door system comes with a one year Manufacturers Warranty. When used normally, the following services are offered:

1. Replacement for malfunctioning parts in first three months
2. Repair free of charge for malfunctioning parts in first year

The following actions will void the Warranty:

1. Damage to the device during installation
2. Damage to the device through misuse
3. Opening and/or disassembling the device
4. Attempting to force the device to perform functions for which it is not intended
5. Attaching the device to power supplies other than those recommended by the manufacturer

Distributor for Warranty purposes:

Lale Trading Ltd
34a High Street
Hornsey
London
N8 7NX
+44 (0)20 83482040
www.intelligenthomeonline.com

Product: _____

Purchaser Name: _____

Invoice N: _____

Purchase Date _____