

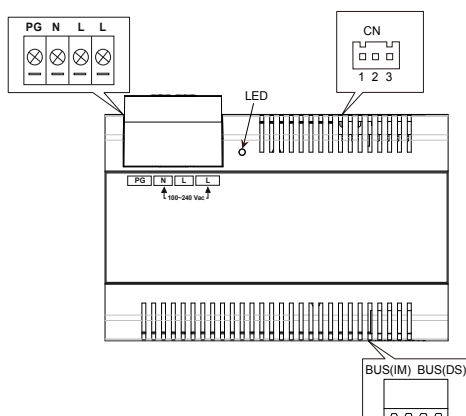
1. Introduction:

The PC6A is an intelligent power supply unit, which is designed for 2-wire system to supply power for door station, video monitor and other interfaces. Works either as a normal power supply or auxiliary power supply

The features:

- Universal AC input/full range
- Multi protection: short circuit, overload, over voltage
- Support up to 4~8 monitors (depends on models)
- DIN rail mounting

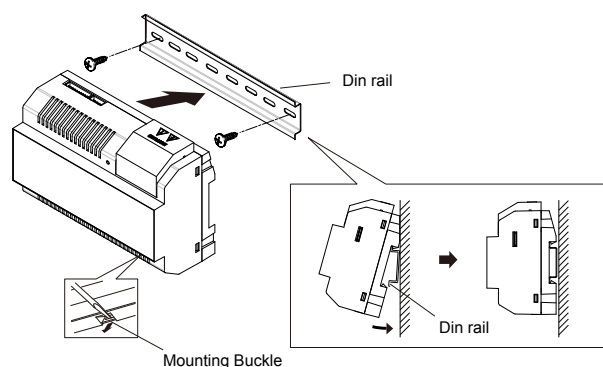
2. Terminals Description:



- PG:** Earth ground
- N:** AC input
- L:** AC input
- LED:** Red light power indicator
- CN:** Bus control terminal
- BUS(IM):** Video monitor connection terminal
- BUS(DS):** Door station connection terminal

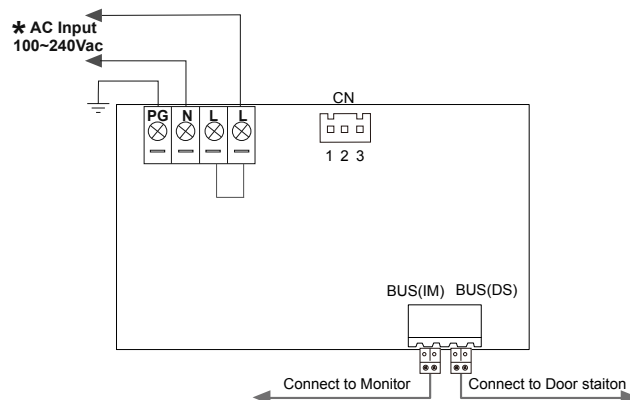
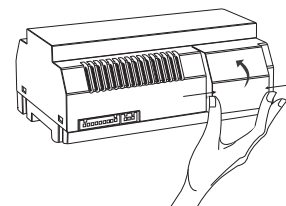
3. Mounting:

- Step1: Mount the din rail on the wall
- Step 2: Pull down the mounting buckle, then hang the unit on the rail



4. Wiring:

Open the AC cover- squeeze the bottom of the cover and pull it open. Connect the AC cable and replace the cover



Note:

1. The AC cable is not supplied in the package. Connect 1mm power flex cable
2. Keep pin1&2 short circuited (default) to use it a normal power supply. To use as an auxiliary power supply, remove pin with short cicrute

5. Specifications:

Input Voltage:	100~240Vac
Input Frequency:	50~60Hz Rated
Output Voltage:	DC 26V±2V
Rated Output Current:	1.5A
Working Temperature:	-20°C~55°C
SW Port Input Voltage:	Max.230Vac, 2A
Dimension:	140x90x60mm

6. Warning:

- The unit can only be used for 2-wire series door entry systems
- Do not connect the unit to any power source outside the input voltage range stated above
- Do not dismantle or alter the unit
- The unit must be installed and wired by a qualified technician
- Keep the unit away from water. Danger of fire or electric shock