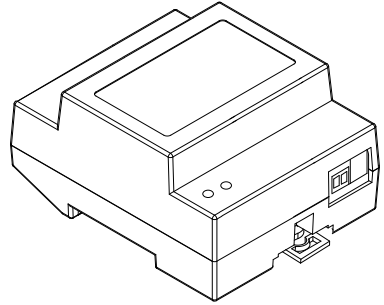
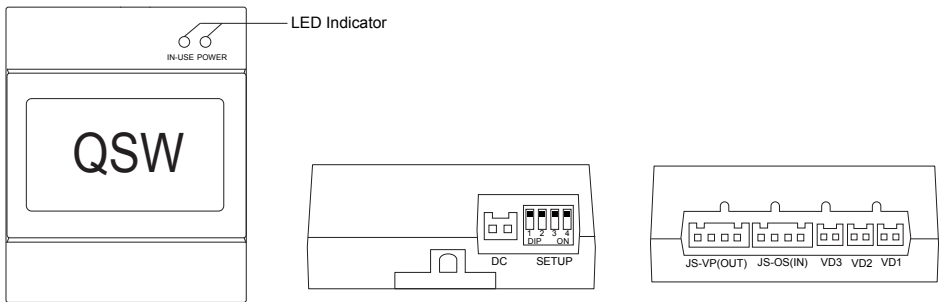


1. Introduction

The VT-QSW module is designed to VT system for the purpose of video quad splitter, four images from 4 different cameras can be displayed on screen of monitor via QSW unit. Note that the VT-QSW is for VT27 series monitors application only.



2. Terminal Descriptions



IN-USE:Status indicator,it will light up or blink when receives signal.

POWER:Working indicator,it will light up when plug in power supply.

DC: Power supply input port.

SETUP:DIP switches,refer to table 1 for detail information.

VD1:2P terminal,CCTV camera1 connection port.






VD2:2P terminal,CCTV camera2 connection port.

VD3:2P terminal,CCTV camera3 connection port.

JS-OS:Input port,connect to door station.(if multi door stations are installed,connectd to MDS)

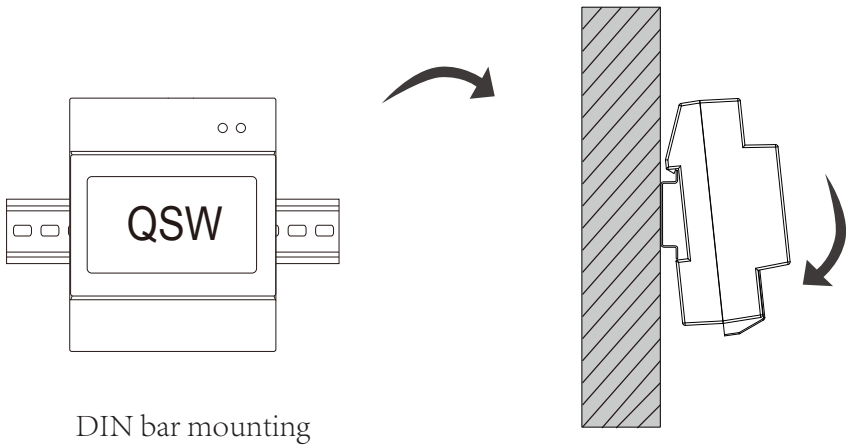
JS-VP:Output port,connect to indoor monitors.

Table 1

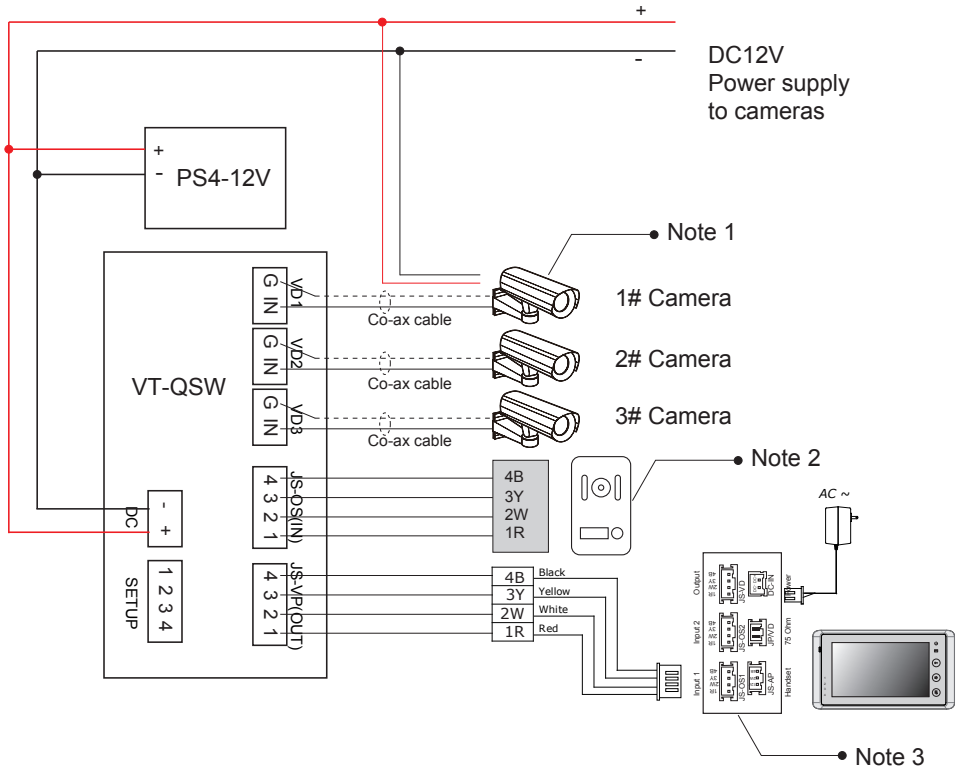
DIP State	DIP Code	Description
	x0xx	PAL standard working mode
	x1xx	NTSC standard working mode
	1x00	Enter test mode
	1x10	4 images displayed mode, it can't switch to full screen mode.
	1x11	Full screen mode, it can't switch to 4 images displayed mode.

Note: "x" means that the DIP switches are not restricted.

3. Mounting



4. Wiring Diagram



Note1: Must use 12V CCTV cameras and the current must be less than 300mA.

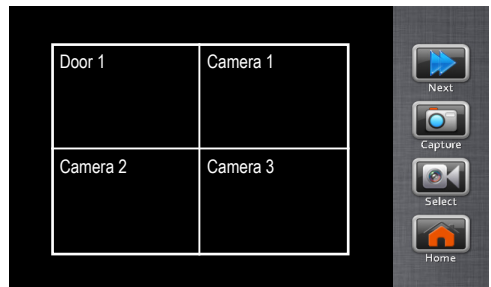
Note2: If multiple door stations are installed, connect VT-MDS first, then connect VT-MDS output port to JS-OS(IN) terminal on VT-QSW. About the VT-MDS wiring, please refer to the MDS user manual for more detailed information.

Note3: If multiple monitors are installed, please refer to the indoor monitor user manual for more detailed information.

5. Operation Instructions

- 1.The VT-QSW is fit for specific model only (VT27) which has video quad splitter function.
- 2.How to operate QSW function on monitor,refer to the followings:

- Touch **Manual Monitor** icon on main menu page.QSW function page will be shown.
- Touch **camera 1/2/3** icon to see the conditions of each camera.
- Touch **Quad** icon,4 images from door1 and three cameras will be displayed on screen at the same time.
- At this page,touch the screen to view each image on full screen, touch **Next** icon to view next image,and touch the screen again to return to quad page. Touching **Capture** icon can catch current image. Touch **Select** icon to enter camera switching mode.



6. Specification

Power Supply:

Power Consumption:

Working Temperature:

Dimension:

DC12V (supply by PS4)

standby:2W;working:3.5W

-5⁰C ~+45⁰C

89(H)X70(W)X45(D)mm